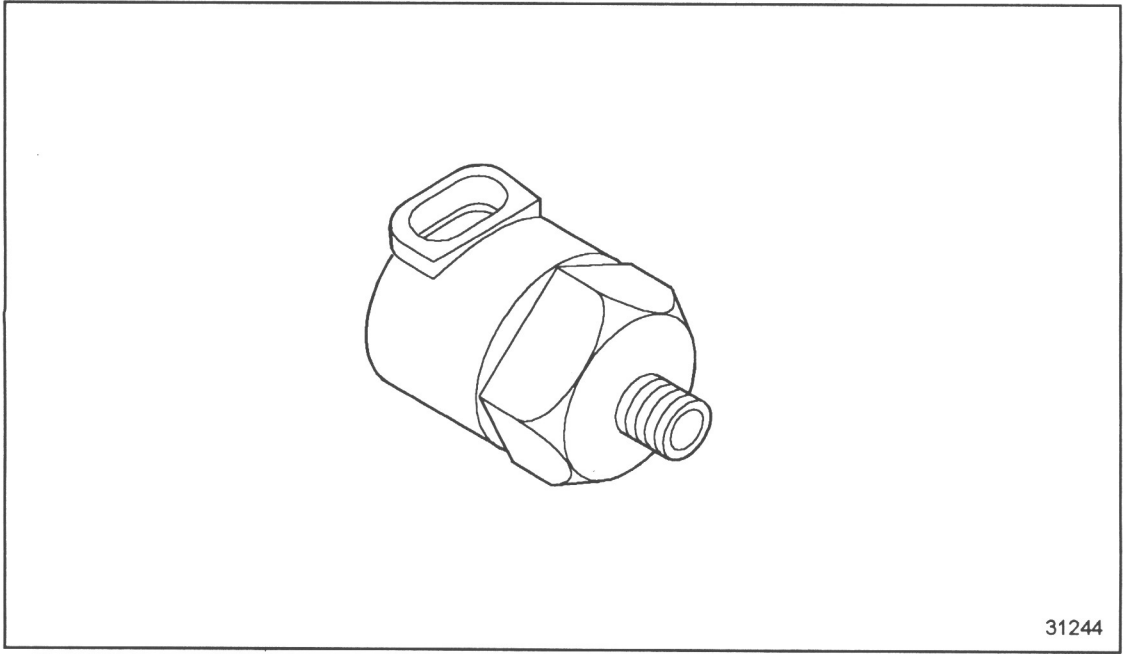


## 45 FLASH CODE 45 – OIL PRESSURE LOW

Section	Page
45.1 DESCRIPTION OF FLASH CODE 45 .....	45-3
45.2 SAE J1587 EQUIVALENT CODE FOR FLASH CODE 45 .....	45-3
45.3 TROUBLESHOOTING FLASH CODE 45 .....	45-3



**Figure 45-1 Oil Pressure Sensor**

## 45.1 DESCRIPTION OF FLASH CODE 45

Flash Code 45 indicates that the ECM has detected that the engine oil pressure has dropped below the recommended safe operating range. See Figure 45-1 for the engine oil pressure sensor.

Conditions: ECM looks for a minimum pressure vs. speed. This can vary for each engine type.

## 45.2 SAE J1587 EQUIVALENT CODE FOR FLASH CODE 45

The SAE J1587 equivalent code for Flash Code 45 is p 100 1, oil pressure low.

## 45.3 TROUBLESHOOTING FLASH CODE 45

Perform the following steps to troubleshoot Flash Code 45.

### 45.3.1 Multiple Code Check

Perform the following steps to check for multiple codes.

1. Turn vehicle ignition switch ON.
2. Plug in the diagnostic data reader (DDR)
3. Read active codes.
  - [a] If codes other than 110/1 are logged, service them first.
  - [b] If code 110/1 is logged, and no other codes are logged, there was an engine running condition at which oil pressure was lower than it should have been.

#### **NOTE:**

For information concerning low oil pressure level, refer to section 3.1 in the engine service manual.

