

48 FLASH CODE 48 – AIR / FUEL PRESSURE LOW

Section	Page
48.1 DESCRIPTION OF FLASH CODE 48	48-3
48.2 SAE J1587 EQUIVALENT CODE FOR FLASH CODE 48	48-3
48.3 TROUBLESHOOTING FLASH CODE 48	48-3

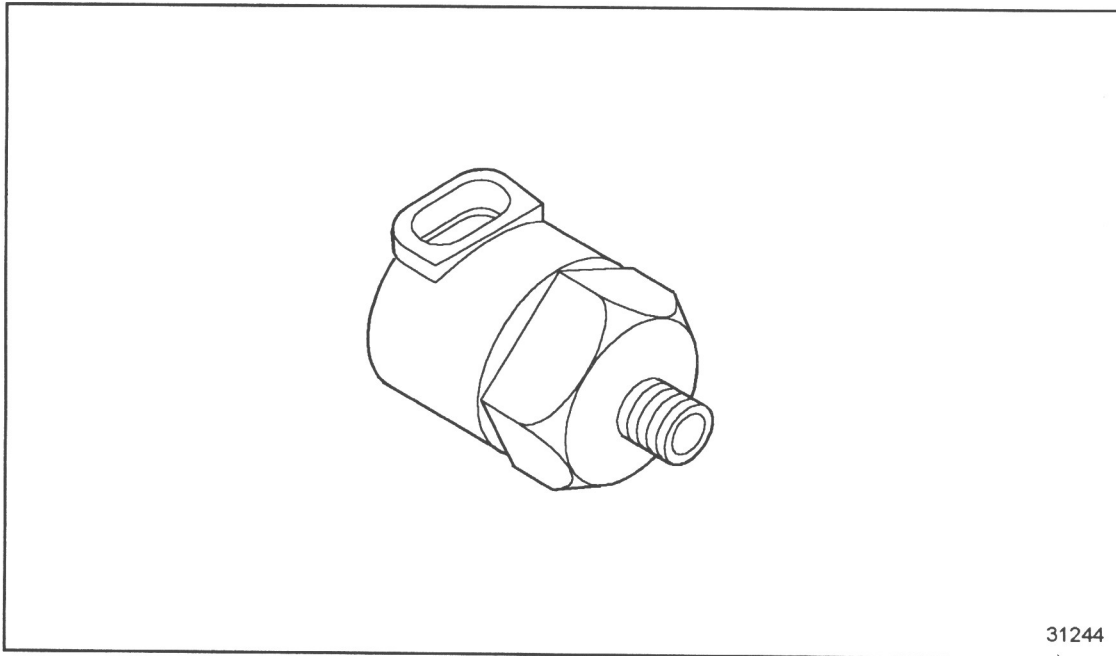


Figure 48-1 Fuel Pressure Sensor

48.1 DESCRIPTION OF FLASH CODE 48

Flash Code 48 indicates that the ECM has detected that the Fuel Pressure has dropped below a programmed limit. This condition is normally associated with a restriction in the fuel supply system:

- Plugged fuel filter
- Low fuel supply

NOTE:

Not all engines use a fuel pressure sensor, see Figure 48-1.

For gas engines, code 48 indicates that the air inlet pressure has dropped below a calibration limit.

48.2 SAE J1587 EQUIVALENT CODE FOR FLASH CODE 48

The SAE J1587 equivalent code for Flash Code 48 is p 094/1, fuel pressure high.

The SAE J1587 equivalent code for Flash Code 48 is p 106/1, air inlet pressure low. (Gas-fueled engines)

48.3 TROUBLESHOOTING FLASH CODE 48

This code is a mechanical fault. Check for reasons for low fuel pressure. Refer to appropriate service manual, section 5.

This (Gas-fueled engine) code is a mechanical fault. Check for reasons for low air inlet pressure. Refer to appropriate service manual, section 6.

