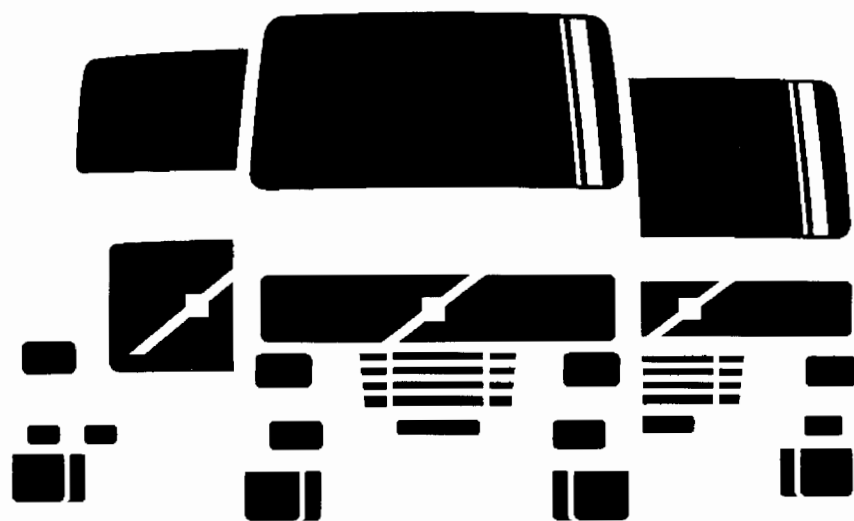
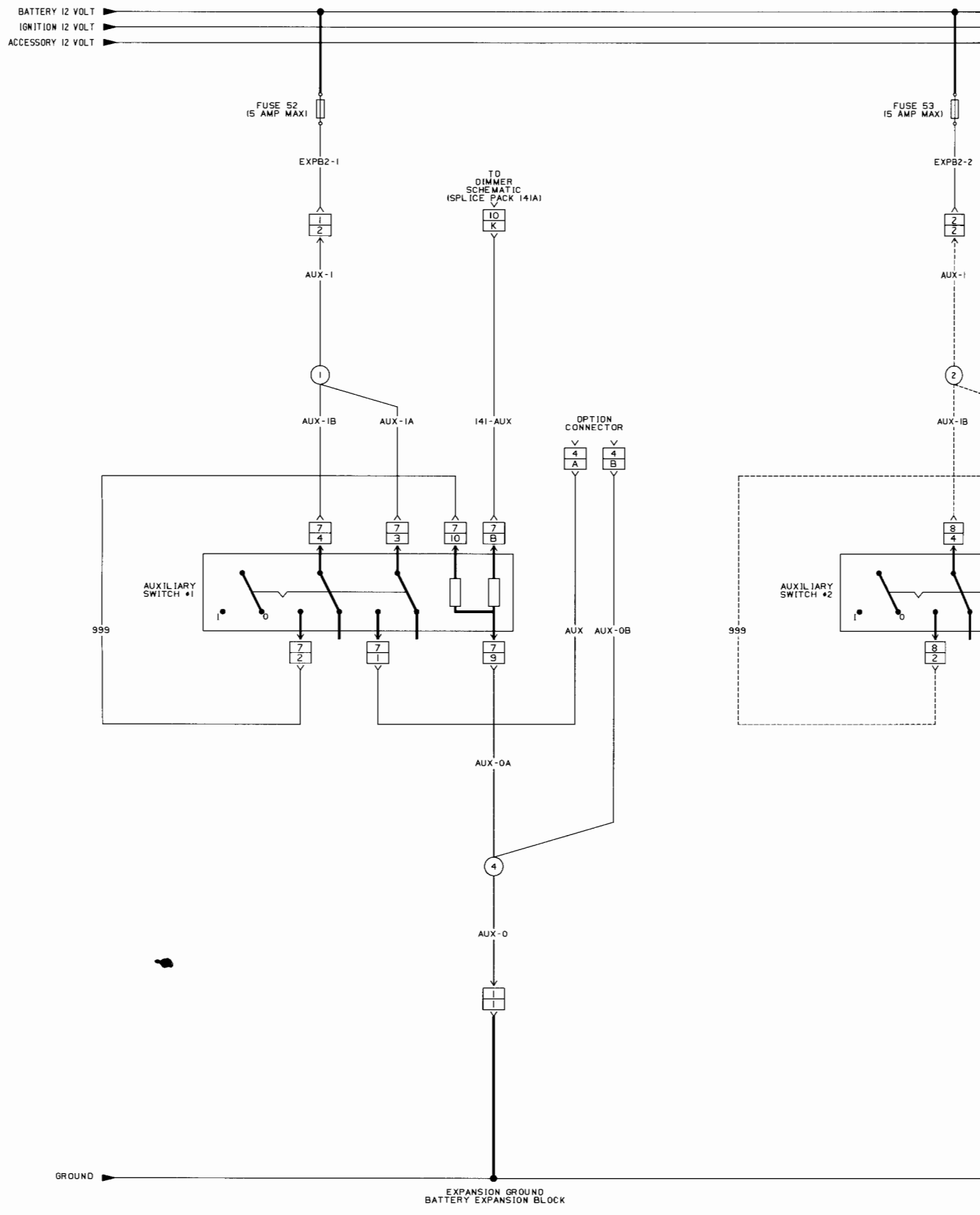


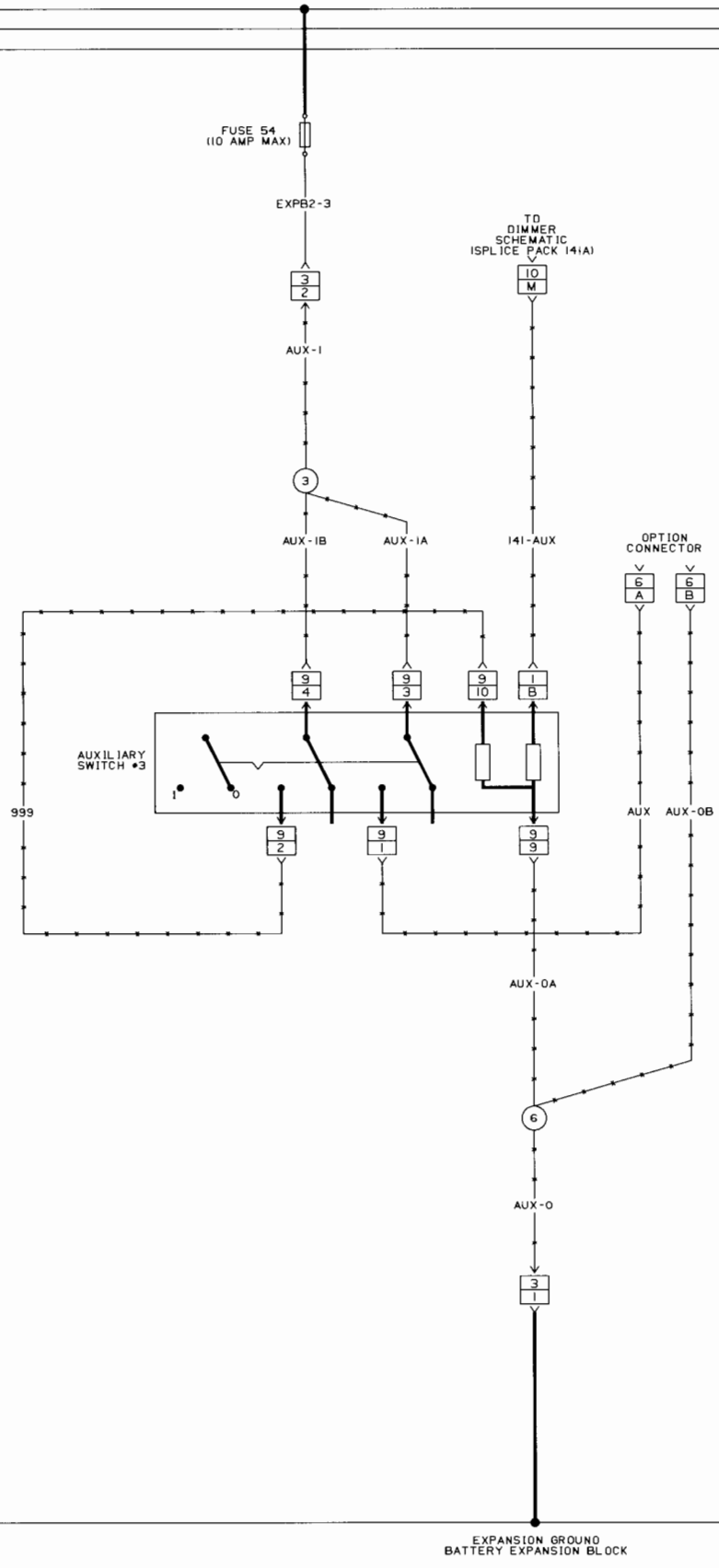
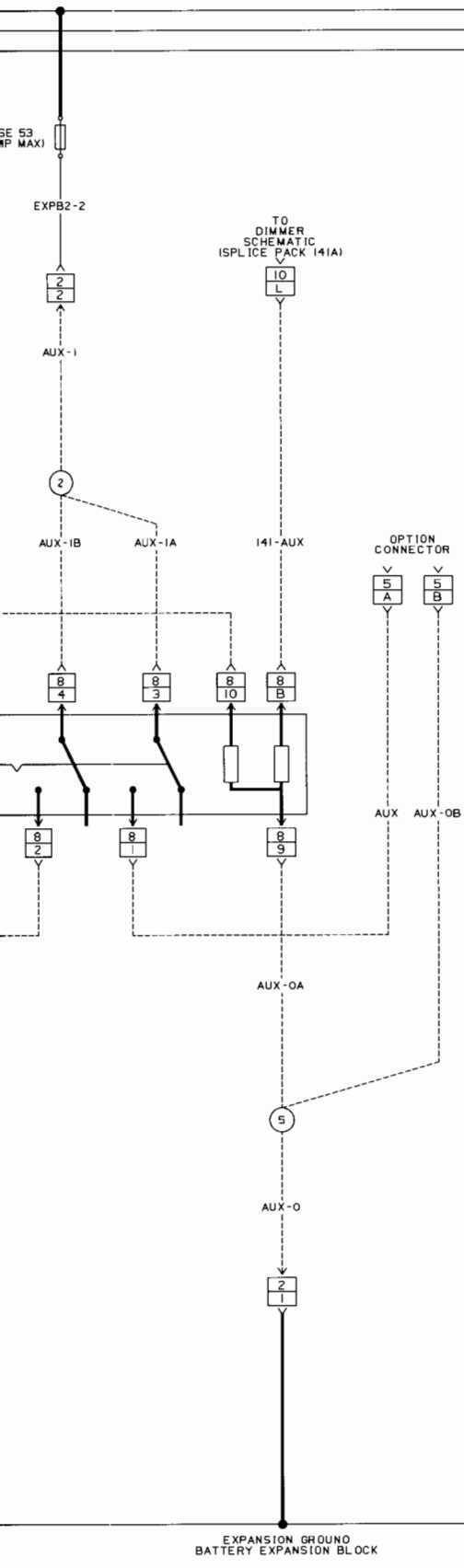
# Service Manual Trucks

Group **37**  
Auxiliary Switches  
VNL, VNM  
From Build Date 5.99





# Auxiliary Switches - VNL, VNM



CONNECTOR AND SPLICE INFORMATION  
CONNECTORS VIEWED FROM CABLE ENTRY



CONNECTOR 1  
EXPANSION CONNECTOR B2-1

TABLE OF CONTENTS		
CAVITY	CIRCUIT	FUNCTION
1	AUX-0	AUX GROUND SUPPLY
2	AUX-1	AUX 12 VOLT SUPPLY



CONNECTOR 2  
EXPANSION CONNECTOR B2-2

TABLE OF CONTENTS		
CAVITY	CIRCUIT	FUNCTION
1	AUX-0	AUX GROUND SUPPLY
2	AUX-1	AUX 12 VOLT SUPPLY



CONNECTOR 3  
EXPANSION CONNECTOR B2-3

TABLE OF CONTENTS		
CAVITY	CIRCUIT	FUNCTION
1	AUX-0	AUX GROUND SUPPLY
2	AUX-1	AUX 12 VOLT SUPPLY



CONNECTOR 4  
AUXILIARY 1 OPTION CONNECTOR

TABLE OF CONTENTS		
CAVITY	CIRCUIT	FUNCTION
A	AUX	AUXILIARY FEED
B	AUX-0B	AUX GROUND SUPPLY



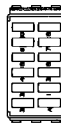
CONNECTOR 5  
AUXILIARY 2 OPTION CONNECTOR

TABLE OF CONTENTS		
CAVITY	CIRCUIT	FUNCTION
A	AUX	AUXILIARY FEED
B	AUX-0B	AUX GROUND SUPPLY



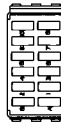
CONNECTOR 6  
AUXILIARY 3 OPTION CONNECTOR

TABLE OF CONTENTS		
CAVITY	CIRCUIT	FUNCTION
A	AUX	AUXILIARY FEED
B	AUX-0B	AUX GROUND SUPPLY



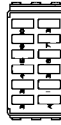
CONNECTOR 7  
AUXILIARY 1 SWITCH CONNECTOR

TABLE OF CONTENTS		
CAVITY	CIRCUIT	FUNCTION
1	AUX	AUXILIARY FEED
2	999	ILLUMINATION FEED
3	AUX-1A	AUX 12 VOLT SUPPLY
4	AUX-1B	ILLUM 12 VOLT SUPPLY
9	AUX-0A	ILLUM GROUND SUPPLY
10	999	ILLUMINATION FEED
B	141-AUX	ILLUM 12 VOLT SUPPLY



CONNECTOR 8  
AUXILIARY 2 SWITCH CONNECTOR

TABLE OF CONTENTS		
CAVITY	CIRCUIT	FUNCTION
1	AUX	AUXILIARY FEED
2	999	ILLUMINATION FEED
3	AUX-1A	AUX 12 VOLT SUPPLY
4	AUX-1B	ILLUM 12 VOLT SUPPLY
9	AUX-0A	ILLUM GROUND SUPPLY
10	999	ILLUMINATION FEED
B	141-AUX	ILLUM 12 VOLT SUPPLY



CONNECTOR 9  
AUXILIARY 3 SWITCH CONNECTOR

TABLE OF CONTENTS		
CAVITY	CIRCUIT	FUNCTION
1	AUX	AUXILIARY FEED
2	999	ILLUMINATION FEED
3	AUX-1A	AUX 12 VOLT SUPPLY
4	AUX-1B	ILLUM 12 VOLT SUPPLY
9	AUX-0A	ILLUM GROUND SUPPLY
10	999	ILLUMINATION FEED
B	141-AUX	ILLUM 12 VOLT SUPPLY

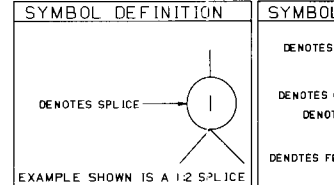


CONNECTOR 10  
SPLICE PACK 141A

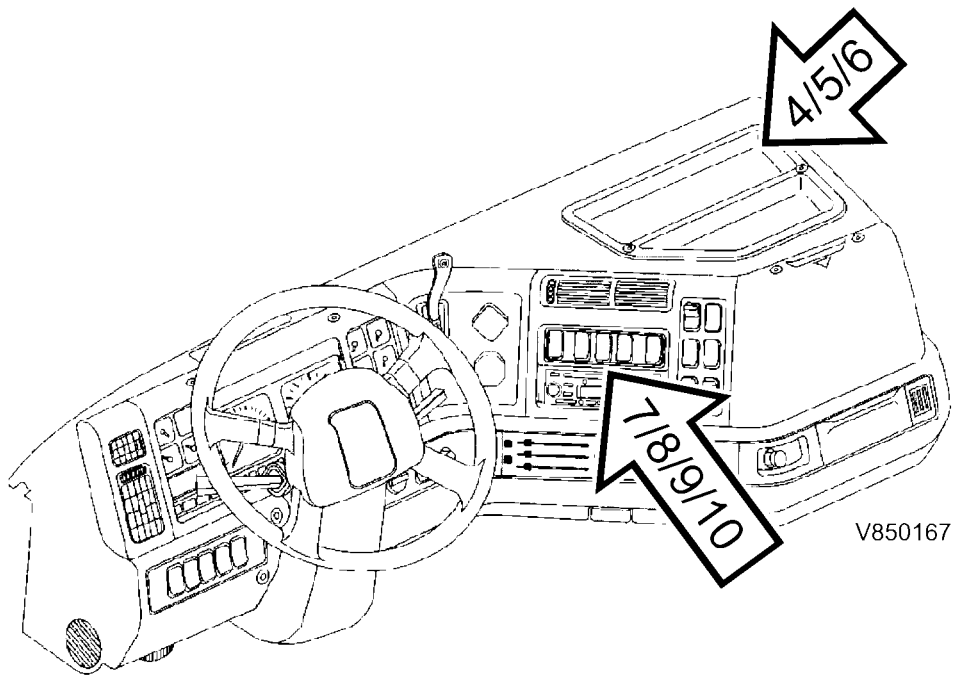
TABLE OF CONTENTS		
CAVITY	CIRCUIT	FUNCTION
K	141-AUX	ILLUMINATION FEED
L	141-AUX	ILLUMINATION FEED
M	141-AUX	ILLUMINATION FEED

SPLICE LOCATION	
SPLICE	HARNESS LOCATION
1	AUXILIARY SWITCH
2	AUXILIARY SWITCH
3	AUXILIARY SWITCH
4	AUXILIARY SWITCH
5	AUXILIARY SWITCH
6	AUXILIARY SWITCH

----- DENOTES TWO OR THREE AUXILIARY SWITCHES  
 --- DENOTES THREE AUXILIARY SWITCHES



CONSEQUENCE CLASS [4] APPLIES



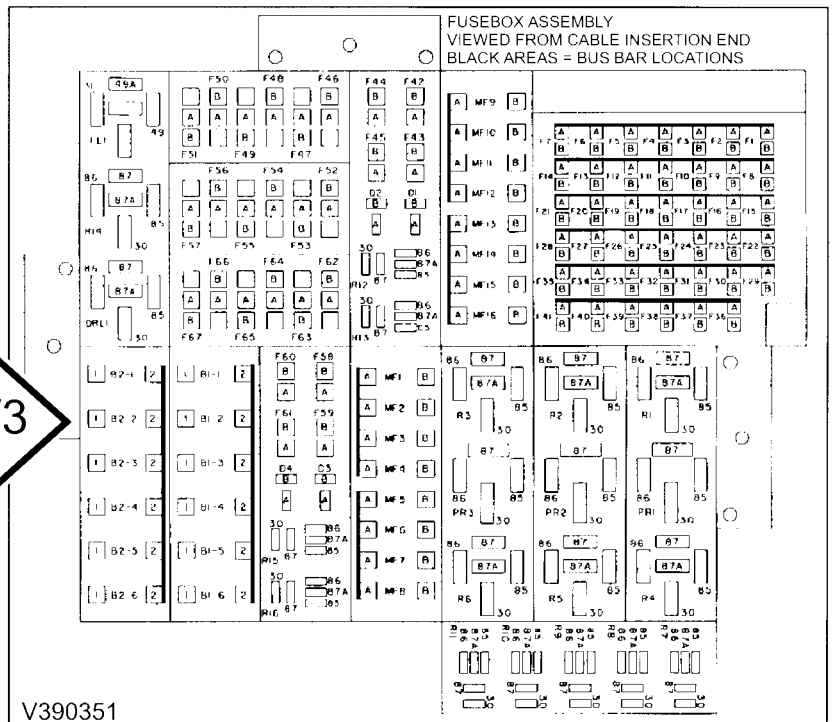
V850167

SPLICE LOCATION CHART	
HARNESS	LOCATION
AUXILIARY SWITCH	AUXILIARY SWITCH
AUXILIARY SWITCH	AUXILIARY SWITCH
AUXILIARY SWITCH	AUXILIARY SWITCH
AUXILIARY SWITCH	EXPANSION CONNECTOR
AUXILIARY SWITCH	EXPANSION CONNECTOR
AUXILIARY SWITCH	EXPANSION CONNECTOR

DENOTES TWO OR THREE AUXILIARY SWITCHES ONLY  
 DENOTES THREE AUXILIARY SWITCHES ONLY

SYMBOL DEFINITION	SYMBOL DEFINITION
 DENOTES MALE TERMINAL	 DENOTES CONNECTOR
 DENOTES CAVITY	 DENOTES FEMALE TERMINAL

CONSEQUENCE CLASS [4] APPLIES TO PROPERTIES NOT MARKED



Schematic # 20357453.01

V390351