

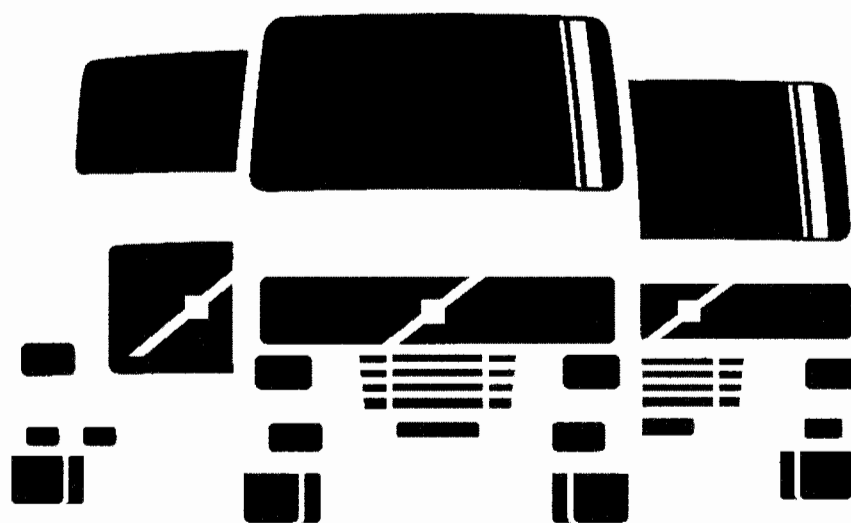
# Service Manual Trucks

Group **37**

Electrical Schematic:  
Central Door Locks

VN

From Build Date 5.99



BATTERY 12 VOLT  
IGNITION 12 VOLT  
ACCESSORY 12 VOLT

IC-E

FUSE 56  
10 AMPS

710

DOOR LOCK  
CONTROL MODULE

3

5

9

8

2

4

713L

714L

711

712

713R

714R

2

D

711

3

B

UNLOCK

LOCK

M

3

A

DRIVERS SIDE  
DOOR LOCK CONTROL  
ASSEMBLY

OC-F

TO  
POWER  
WINDOWS  
SCHEMATIC

1

16

3

5

9

8

2

4

713L

714L

711

712

713R

714R

2

E

713L

3

C

3

D

UNLOCK

LOCK

M

3

A

DRIVERS SIDE  
DOOR LOCK CONTROL  
ASSEMBLY

OC-F

TO  
POWER  
WINDOWS  
SCHEMATIC

OC-C

UNLOCK

LOCK

M

5

A

PASSENGER SIDE  
DOOR LOCK CONTROL  
ASSEMBLY

OC

OC-B

4

C

OC-R

TO  
INTERIOR  
CAB LAMP  
SCHEMATIC

GROUND

SPLICE PACK 0

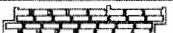
SPLICE PACK 06

# Central Door Locks - VN

CHANGE HISTORY

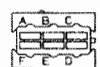
EFFECTIVE DATE	DESCRIPTION

CONNECTOR AND SPLICE INFORMATION  
CONNECTORS VIEWED FROM CABLE ENTRY



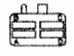
**CONNECTOR 1**  
DOOR LOCK CONTROL MODULE

TABLE OF CONTENTS		
CAVITY	CIRCUIT	FUNCTION
1	710	12 VOLT SUPPLY
2	713R	CONTROL FEED
3	713L	CONTROL FEED
4	714R	CONTROL FEED
5	714L	CONTROL FEED
6	712	GROUND FEED
9	711	GROUND FEED
16	0C-C	GROUND



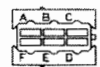
**CONNECTOR 2**  
MAIN CAB HARNESS TO DOOR HARNESS LHS

TABLE OF CONTENTS		
CAVITY	CIRCUIT	FUNCTION
D	711	GROUND CONTROL FEED
E	713L	CONTROL SUPPLY
F	714L	CONTROL SUPPLY



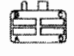
**CONNECTOR 3**  
DRIVER DOOR HARNESS TO DOOR LOCK CONTROL

TABLE OF CONTENTS		
CAVITY	CIRCUIT	FUNCTION
A	0C-F	GROUND
B	711	GROUND CONTROL FEED
C	713L	CONTROL SUPPLY
D	714L	CONTROL SUPPLY



**CONNECTOR 4**  
MAIN CAB HARNESS TO DOOR HARNESS RHS

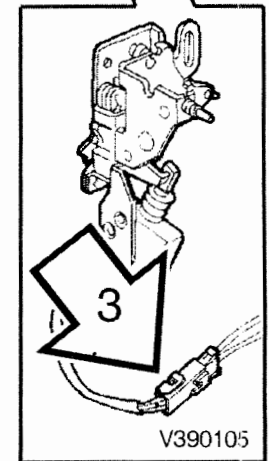
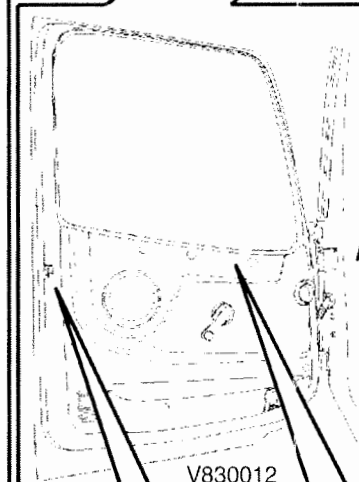
TABLE OF CONTENTS		
CAVITY	CIRCUIT	FUNCTION
C	0C-B	GROUND
D	712	GROUND CONTROL FEED
E	713R	CONTROL SUPPLY
F	714R	CONTROL SUPPLY



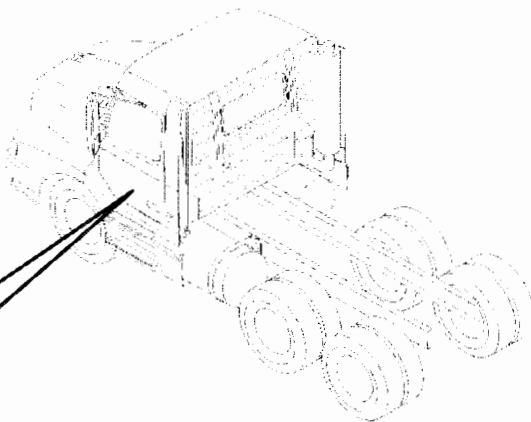
**CONNECTOR 5**  
PASSENGER DOOR HARNESS TO DOOR LOCK CONTROL

TABLE OF CONTENTS		
CAVITY	CIRCUIT	FUNCTION
A	0C	GROUND
B	712	GROUND CONTROL FEED
C	713R	CONTROL SUPPLY
D	714R	CONTROL SUPPLY

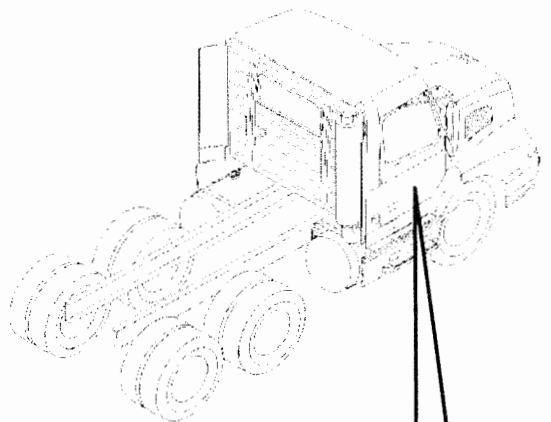
SPLICE LOCATION CHART		
SPLICE	HARNESS	LOCATION
i	DOOR PASSENGER	135MM FROM DOOR LOCK MOTOR CONN.



CHANGE HISTORY	
DESCRIPTION	



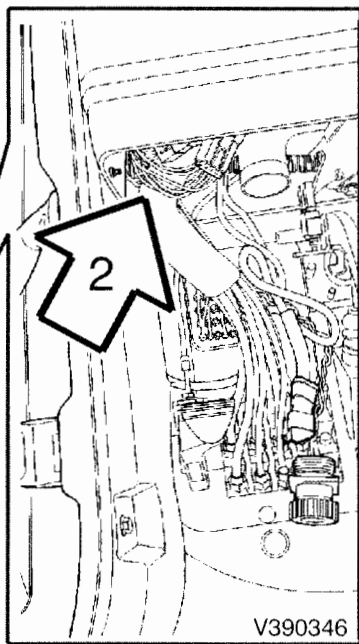
V990150



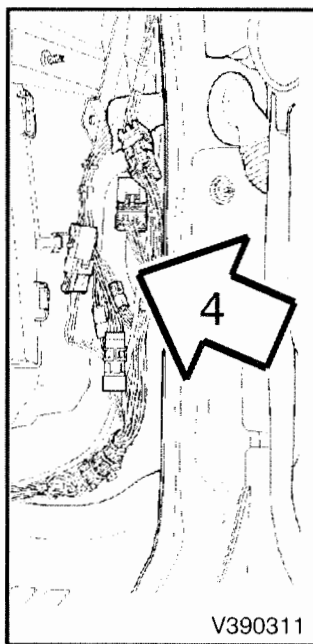
V990158



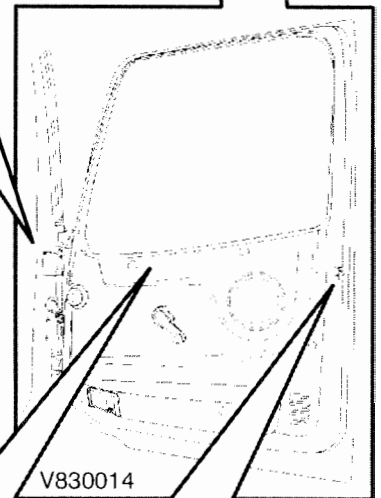
V830012



V390346



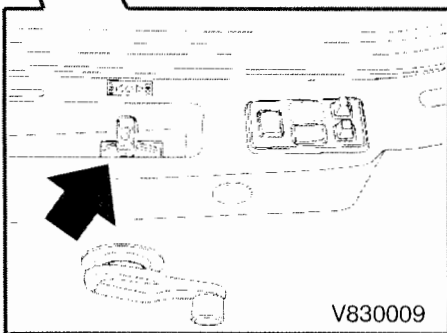
V390311



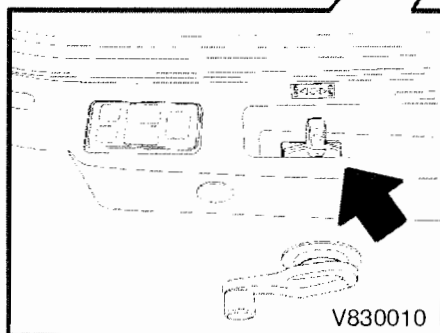
V830014



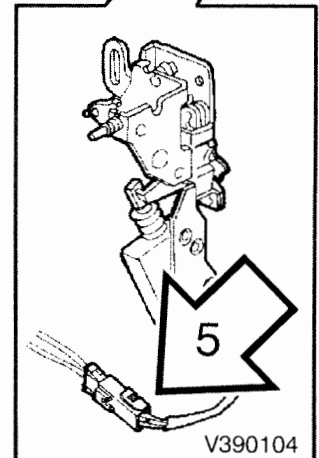
V390105



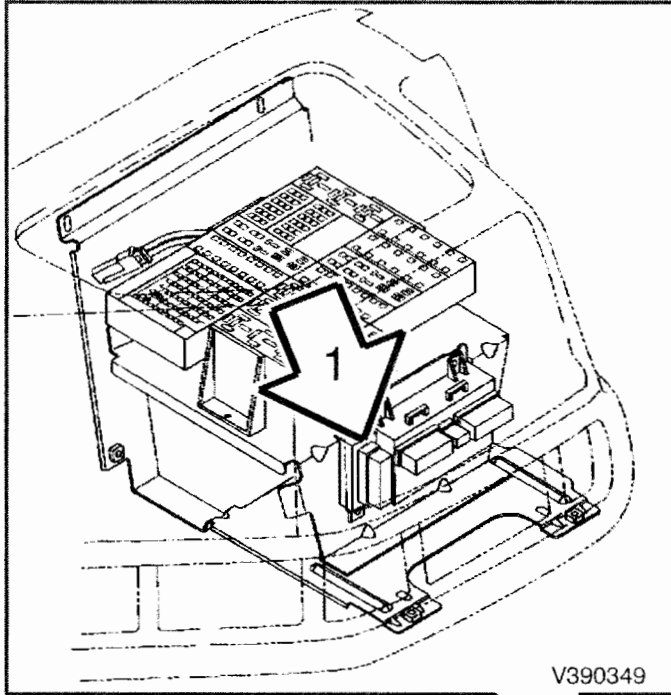
V830009



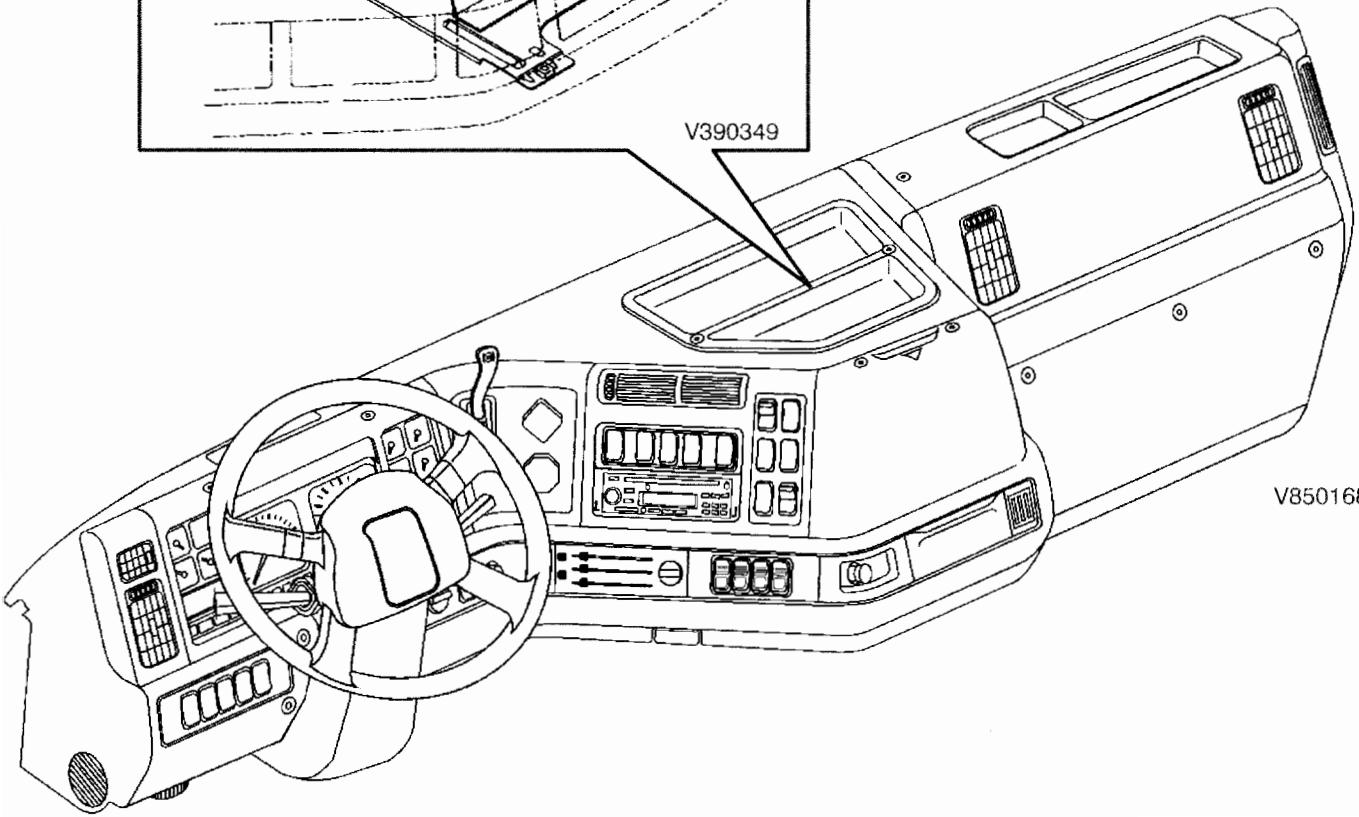
V830010



V390104



V390349



V850168