

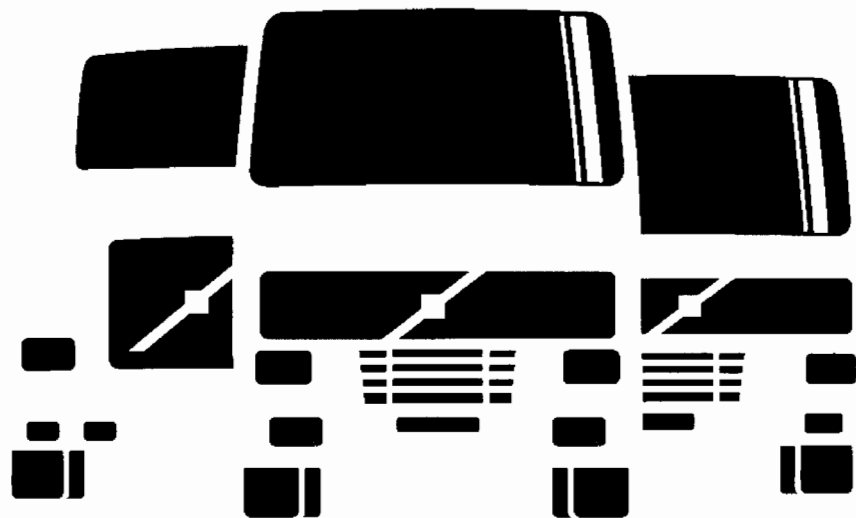
Service Manual Trucks

Group 37

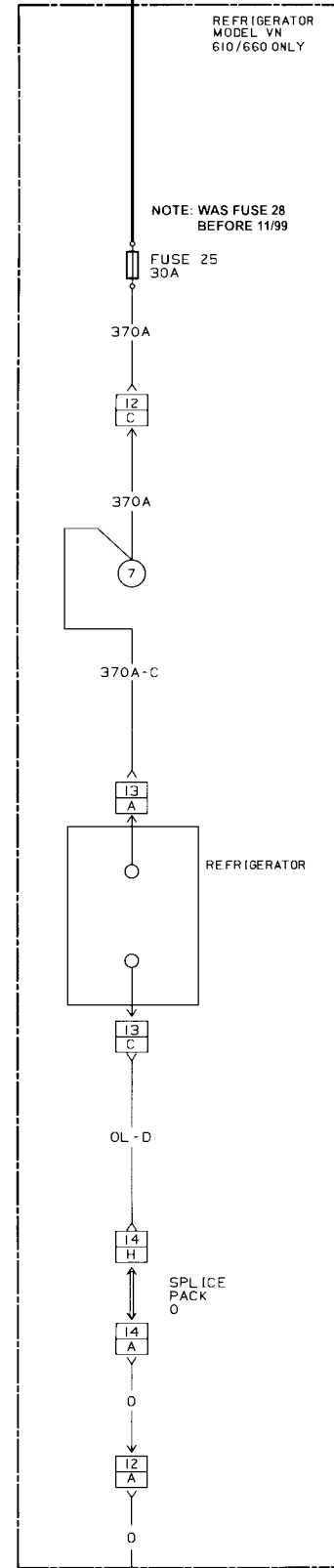
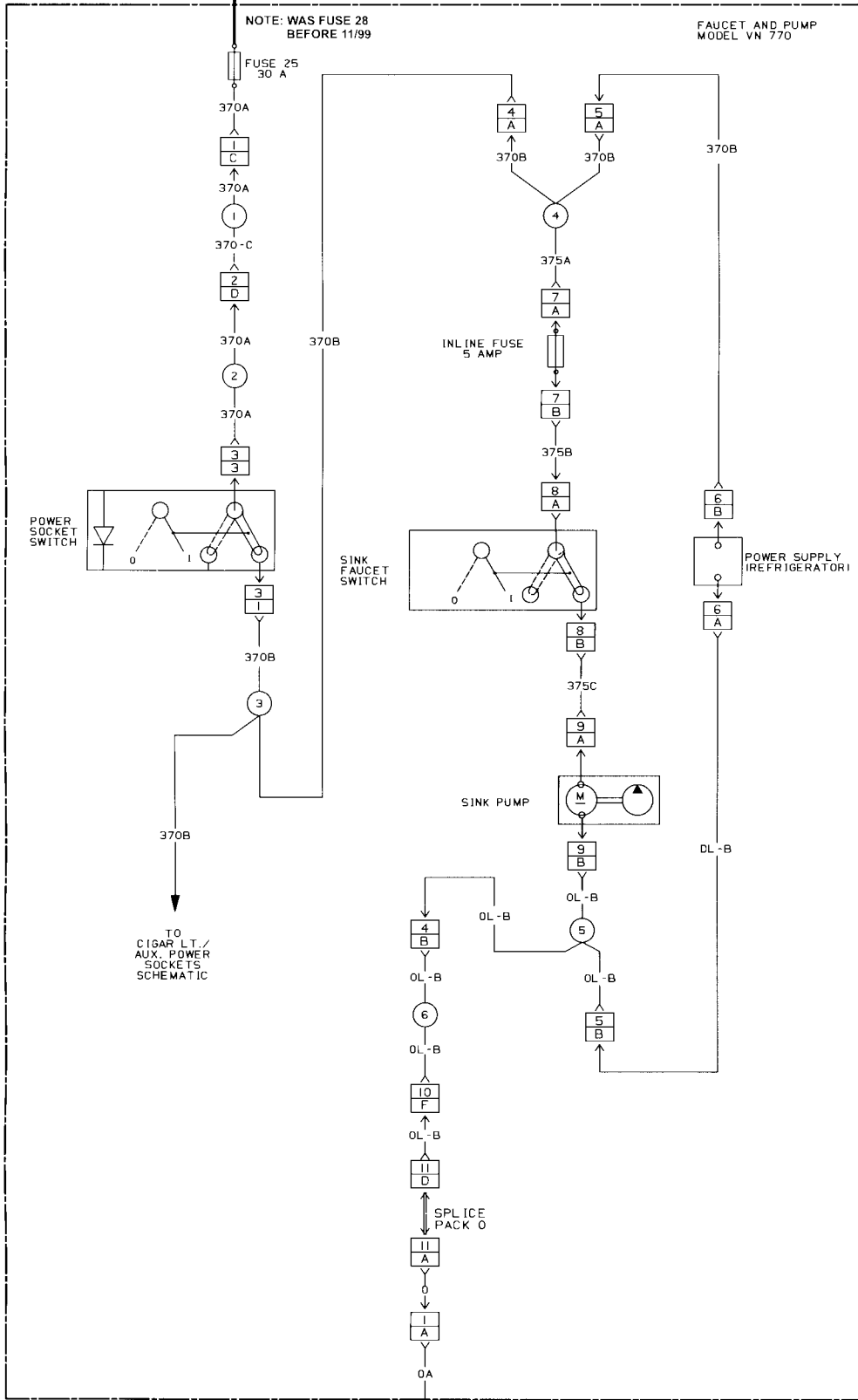
Electrical Schematic:
Sink and Pump, Bunk Fan, Refrigerator

VN

From Build Date 5.99



BATTERY 12 VOLT
IGNITION 12 VOLT
ACCESSORY 12 VOLT

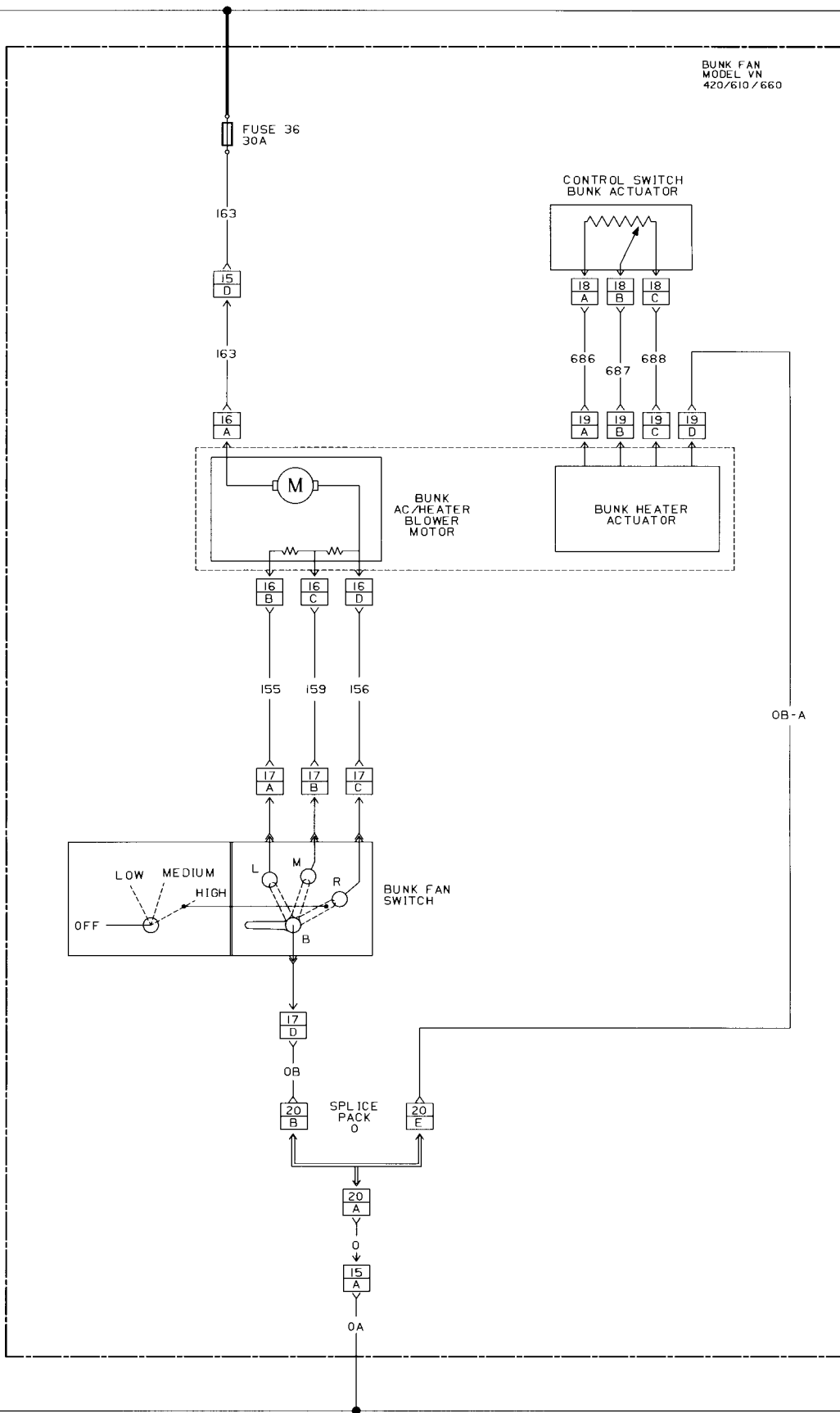


Sink and Pump, Bunk Fan, Refrigerator - VN

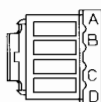
REFRIGERATOR
MODEL VN
0/660 ONLY

FUSE 28
DATE 11/99

REFRIGERATOR



CONNECTOR AND SPLICE INFORMATION
CONNECTORS VIEWED FROM CABLE ENTRY



CONNECTOR 1
MAIN CAB HARNESS TO BUNK HARNESS

TABLE OF CONTENTS		
CAVITY	CIRCUIT	FUNCTION
A	0	GROUND
C	370A	12 VOLT SUPPLY



CONNECTOR 12
CAB HARNESS TO BUNK HARNESS

TABLE OF CONTENTS		
CAVITY	CIRCUIT	FUNCTION
A	0	GROUND
C	370A	12 VOLT SUPPLY



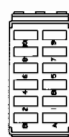
CONNECTOR 2
BUNK HARNESS TO HARNESS, LEFT REAR

TABLE OF CONTENTS		
CAVITY	CIRCUIT	FUNCTION
D	370-C	12 VOLT SUPPLY



CONNECTOR 13
REFRIGERATOR

TABLE OF CONTENTS		
CAVITY	CIRCUIT	FUNCTION
A	370A-C	12 VOLT SUPPLY
C	0L-D	GROUND



CONNECTOR 3
LEFT REAR HARNESS TO SWITCH

TABLE OF CONTENTS		
CAVITY	CIRCUIT	FUNCTION
1	370B	12 VOLT SUPPLY
3	370A	12 VOLT SUPPLY



CONNECTOR 14
SPLICE PACK 0

TABLE OF CONTENTS		
CAVITY	CIRCUIT	FUNCTION
A	0	GROUND
H	0L-D	GROUND



CONNECTOR 4
SPLICE-IN CONNECTOR FOR SINK PUMP

TABLE OF CONTENTS		
CAVITY	CIRCUIT	FUNCTION
A	370B	12 VOLT SUPPLY
B	0L-B	GROUND



CONNECTOR 15
CAB HARNESS TO BUNK HARNESS

TABLE OF CONTENTS		
CAVITY	CIRCUIT	FUNCTION
A	0A	GROUND
D	163	12 VOLT SUPPLY



CONNECTOR 5
SPLICE-IN CONNECTOR FOR SINK PUMP (TO POWER SUPPLY, REFRIGERATOR)

TABLE OF CONTENTS		
CAVITY	CIRCUIT	FUNCTION
A	370B	12 VOLT SUPPLY
B	0L-B	GROUND



CONNECTOR 16
BUNK HARNESS TO BUNK FAN MOTOR

TABLE OF CONTENTS		
CAVITY	CIRCUIT	FUNCTION
A	163	12 VOLT SUPPLY
B	155	LOW FAN SPEED
C	159	MED FAN SPEED
D	156	HIGH FAN SPEED



CONNECTOR 6
POWER SUPPLY (REFRIGERATOR) LHS

TABLE OF CONTENTS		
CAVITY	CIRCUIT	FUNCTION
A	0L-B	GROUND
B	370B	12 VOLT SUPPLY



CONNECTOR 17
BUNK HARNESS TO BUNK FAN SWITCH

TABLE OF CONTENTS		
CAVITY	CIRCUIT	FUNCTION
A	155	LOW SPEED FAN
B	159	MED FAN SPEED
C	156	H! SPEED FAN
D	0B	GROUND



CONNECTOR 7
IN-LINE FUSE HOLDER

TABLE OF CONTENTS		
CAVITY	CIRCUIT	FUNCTION
A	375A	12 VOLT SUPPLY TO FUSE
B	375B	PROTECTED LEAD TO SWITCH



CONNECTOR 18
BUNK ACTUATOR CONTROL SWITCH

TABLE OF CONTENTS		
CAVITY	CIRCUIT	FUNCTION
A	686	CONTROL SWITCH SUPPLY
B	687	CONTROL SWITCH SIGNAL
C	688	CONTROL SWITCH RETURN



CONNECTOR 8
SINK FAUCET SWITCH

TABLE OF CONTENTS		
CAVITY	CIRCUIT	FUNCTION
A	375B	PROTECTED LEAD TO SWITCH
B	375C	SWITCH LEAD TO PUMP



CONNECTOR 19
BUNK HEATER ACTUATOR

TABLE OF CONTENTS		
CAVITY	CIRCUIT	FUNCTION
A	686	CONTROL SWITCH SUPPLY
B	687	CONTROL SWITCH SIGNAL
C	688	CONTROL SWITCH RETURN
D	0B-A	GROUND



CONNECTOR 9
PUMP

TABLE OF CONTENTS		
CAVITY	CIRCUIT	FUNCTION
A	375C	SWITCH LEAD TO PUMP
B	0L-B	GROUND



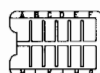
CONNECTOR 20
SPLICE PACK 0

TABLE OF CONTENTS		
CAVITY	CIRCUIT	FUNCTION
A	0	GROUND
B	0B	GROUND
E	0B-A	GROUND



CONNECTOR 10
LEFT REAR HARNESS TO BUNK HARNESS

TABLE OF CONTENTS		
CAVITY	CIRCUIT	FUNCTION
F	0L-B	GROUND



CONNECTOR 11
SPLICE PACK 0

TABLE OF CONTENTS		
CAVITY	CIRCUIT	FUNCTION
A	0	GROUND
D	0L-B	GROUND

EFFECTIVE DATE	DESC
11/99	FUSE

SPLICE
1
2
3
4
5
6
7

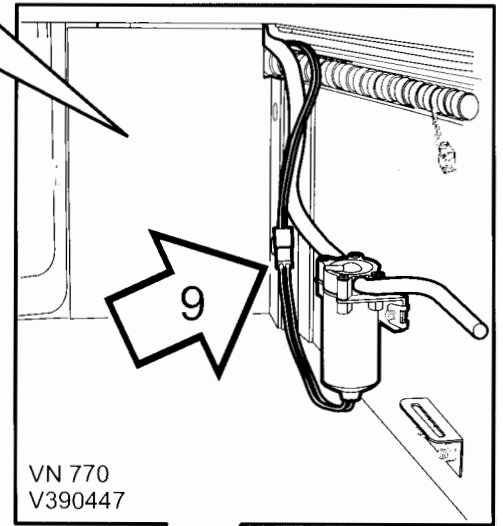
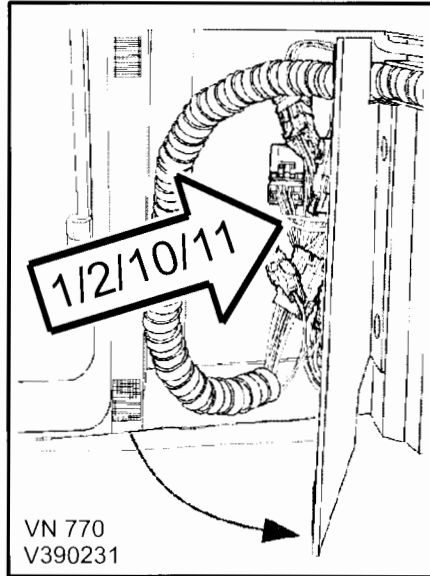
SYMBOL DE F

DENOTES SPLICE

EXAMPLE SHOWN IS

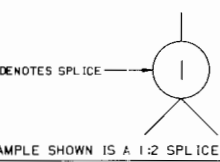
CHANGE HISTORY

EFFECTIVE DATE	DESCRIPTION
11/99	FUSE CHANGE

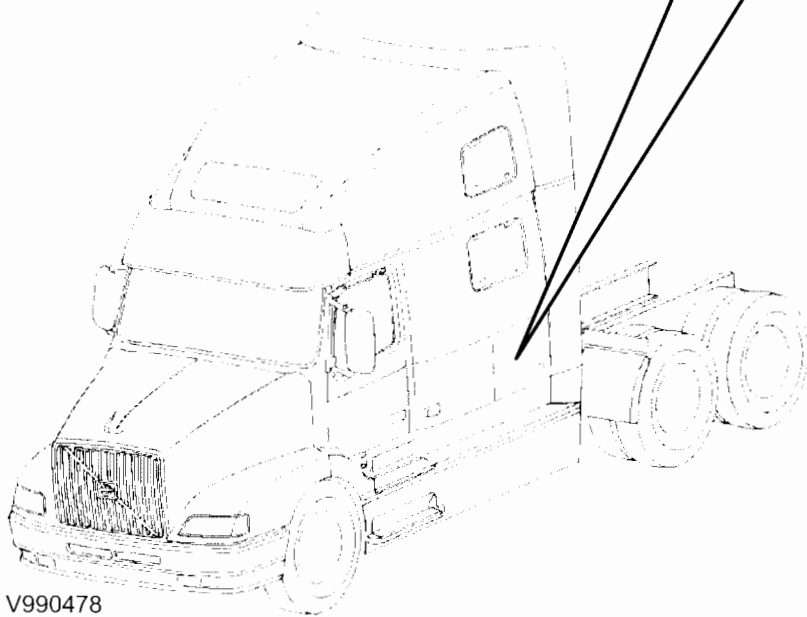
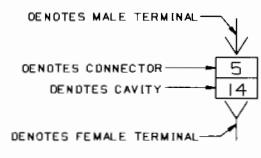


SPLICE LOCATION CHART		
SPLICE	HARNESS	LOCATION
1	BUNK	540MM FROM CAB HARN. CONNECTOR
2	LEFT REAR	150MM FROM CIGAR LT. BREAKOUT
3	LEFT REAR	50MM FROM REFRIG. BREAKOUT
4	SINK/FAUCET	675MM FROM INLINE FUSE
5	SINK/FAUCET	775MM FROM INLINE FUSE
6	LEFT REAR	100MM FROM REFRIG. BREAKOUT
7	LEFT REAR	350MM FROM CIGAR LIGHTER CONN.

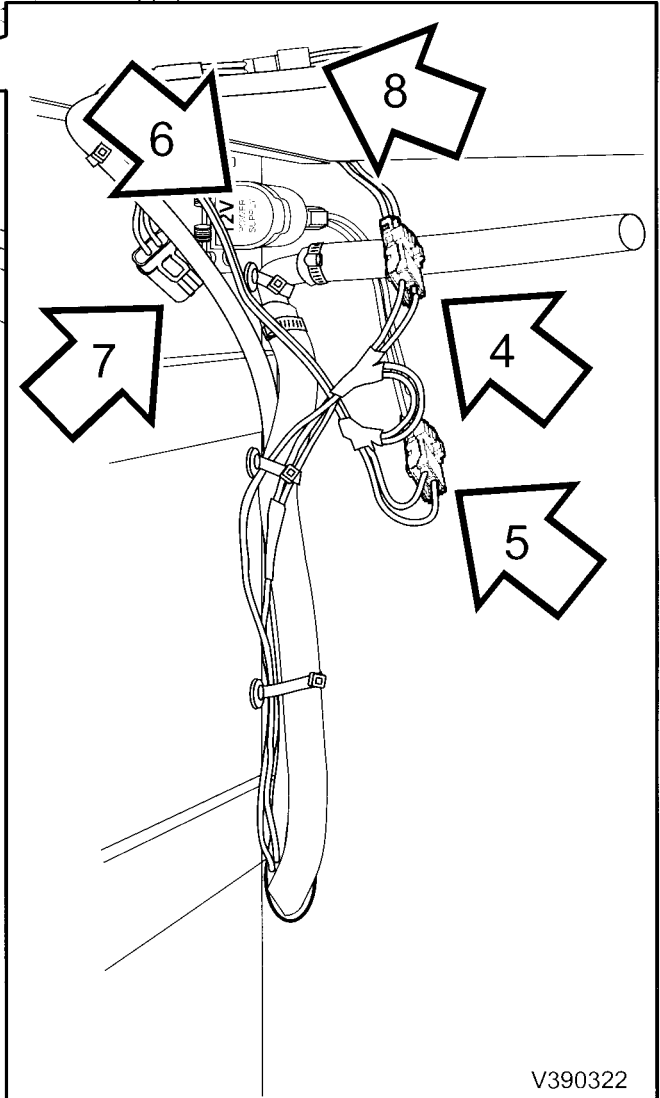
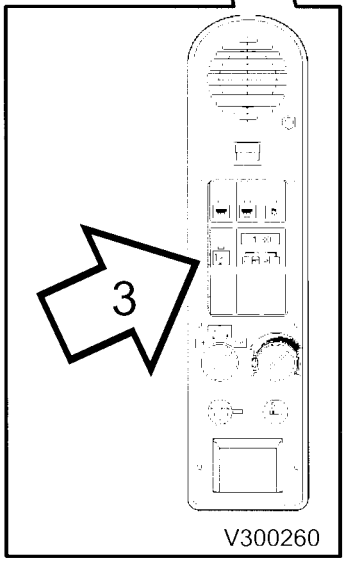
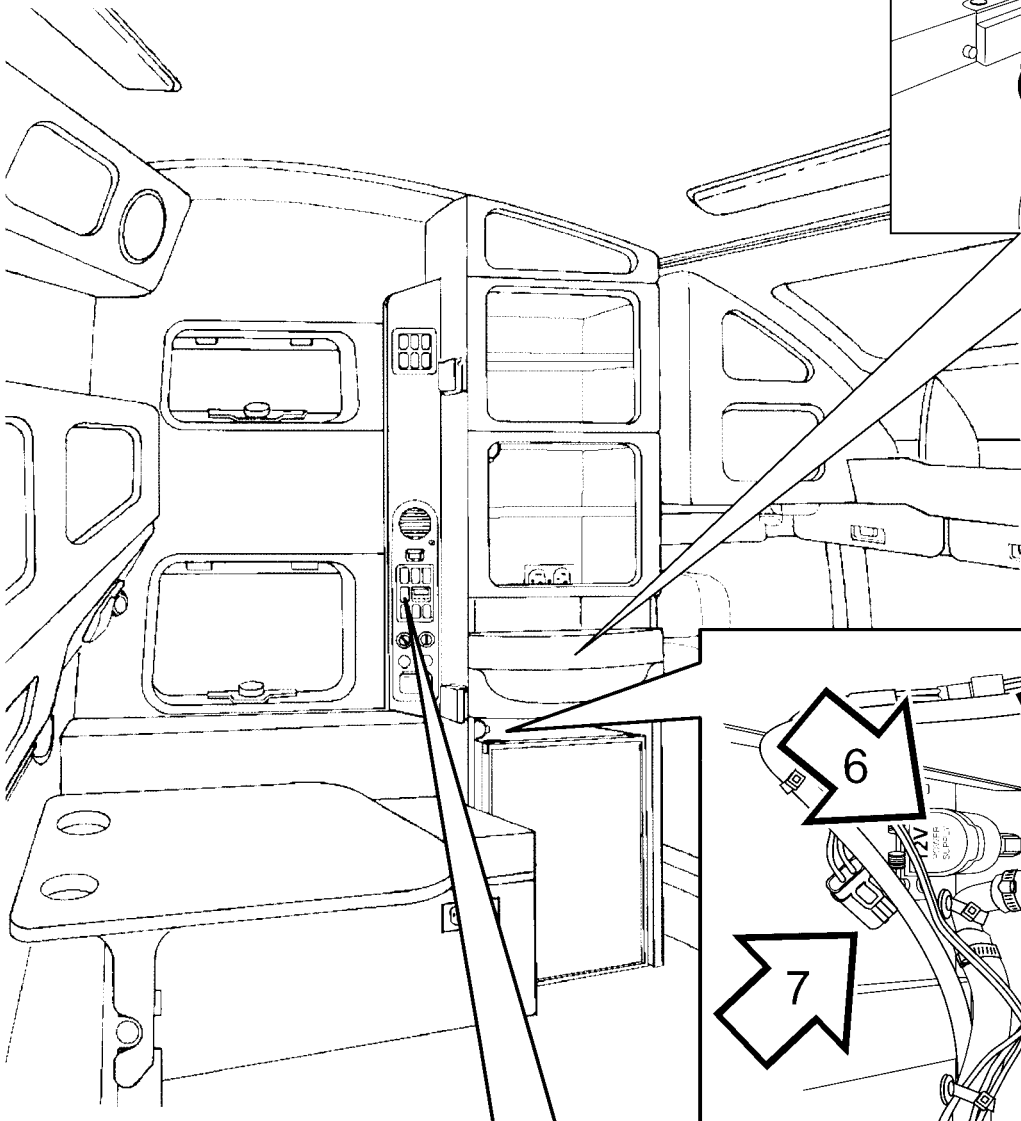
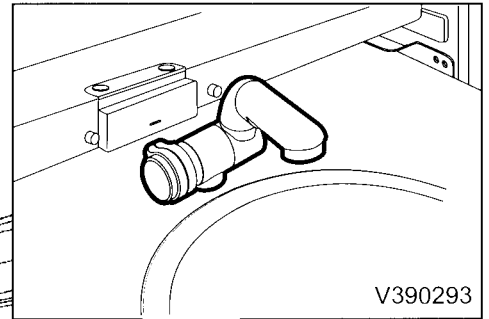
SYMBOL DEFINITION



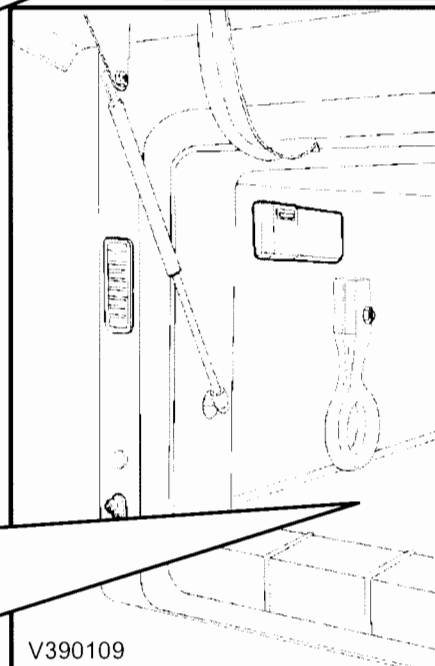
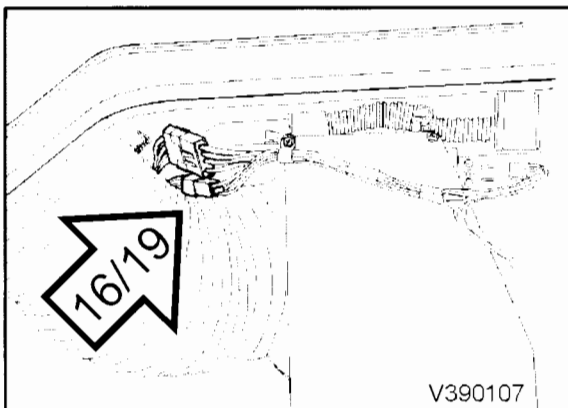
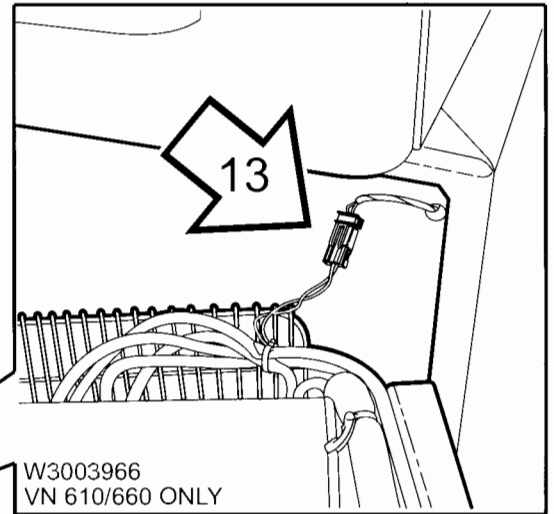
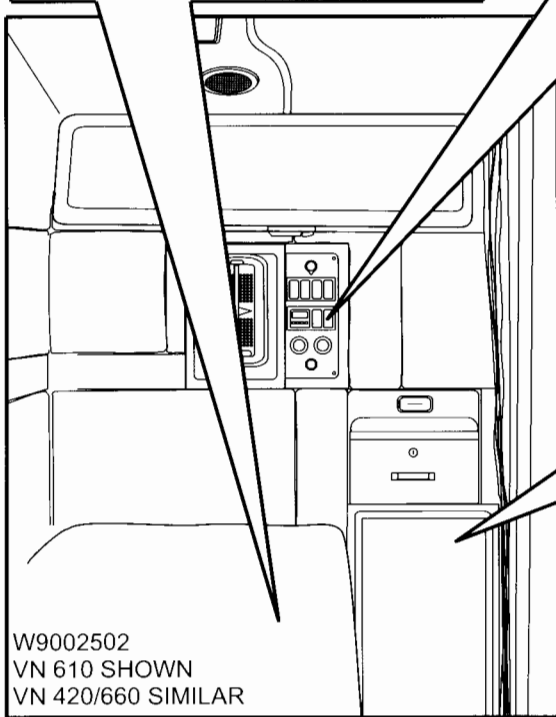
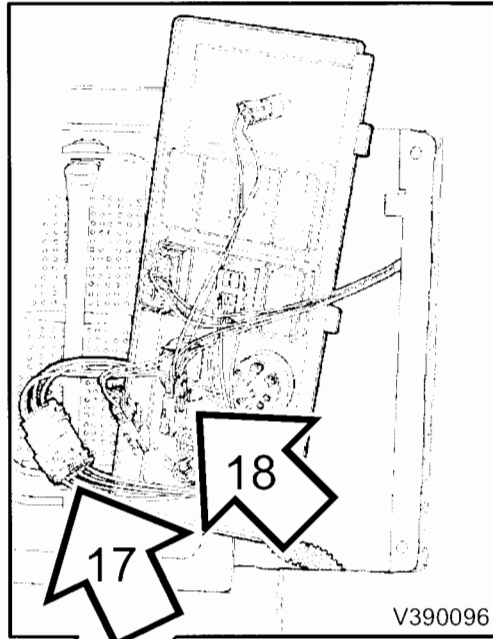
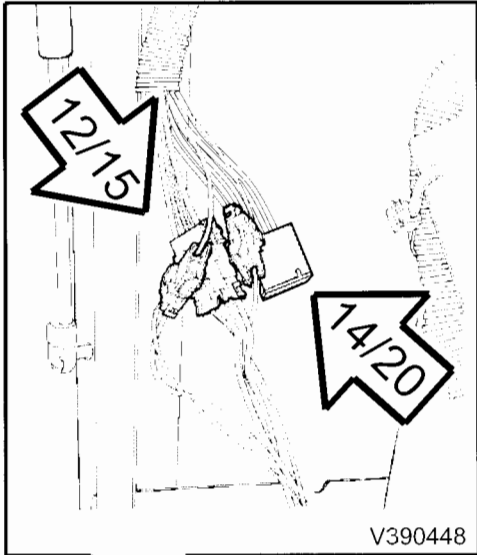
SYMBOL DEFINITION



MODEL VN 770 ONLY



MODELS VN 420/610/660 ONLY



V390293

90322