

# Service Manual Trucks

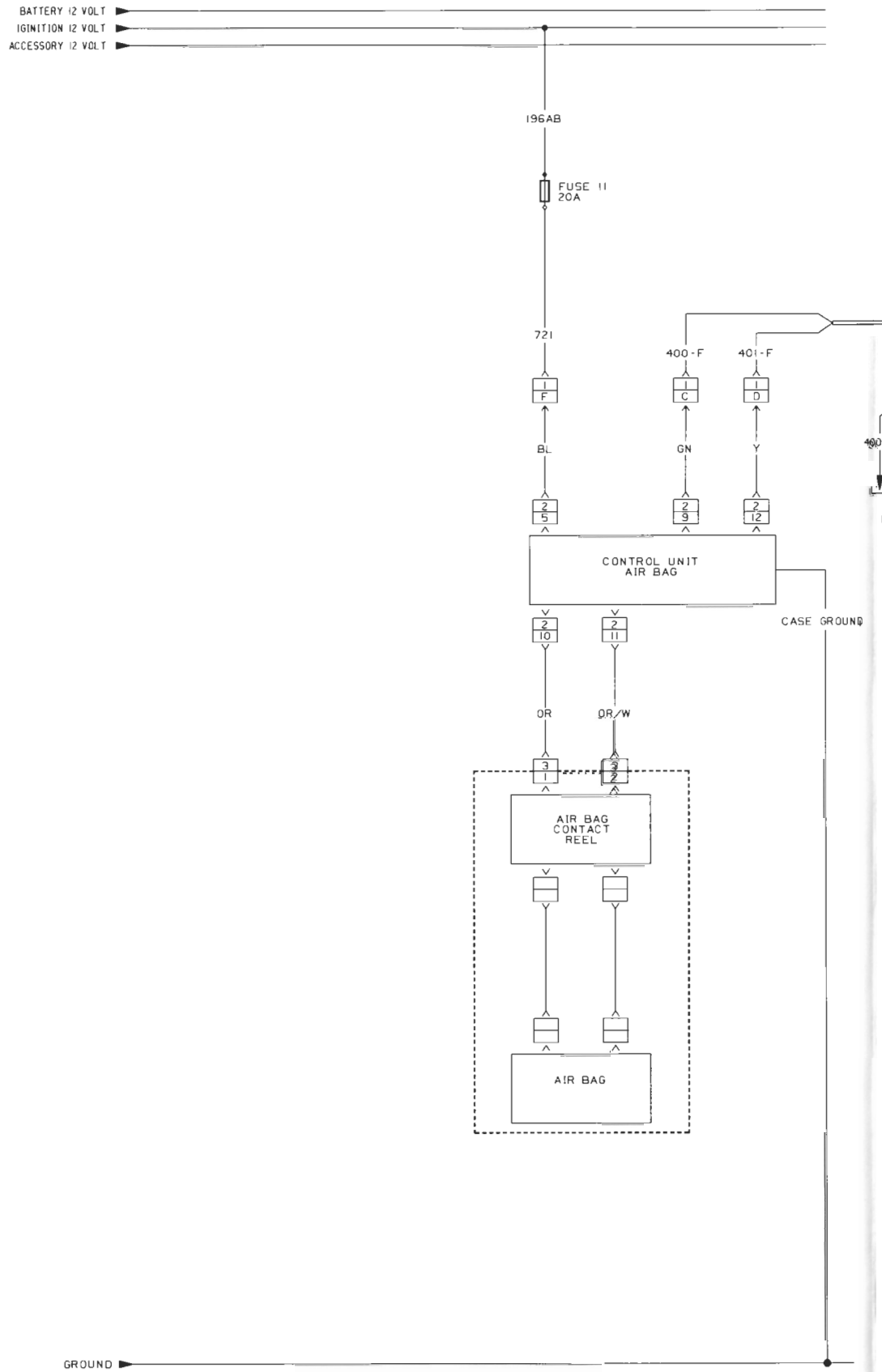
Group **37**

Electrical Schematic:  
Supplemental Restraint System  
(Airbag)

VNL, VNM

From Build Date 5.99





Supplemental Restraint System (Airbag) - VNL, VNM

EFFECTIVE DATE	DE

CONNECTOR AND SPLICE INFORMATION  
CONNECTORS VIEWED FROM CABLE ENTRY



CONNECTOR 1  
SRS INTERFACE

TABLE OF CONTENTS		
CAVITY	CIRCUIT	FUNCTION
C	400-F	POS DATA LINK SAE J1708
D	401-F	NEG DATA LINK SAE J1708
F	721	12 VOLT SUPPLY



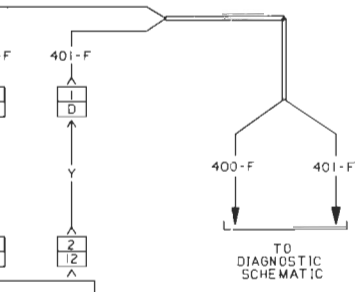
CONNECTOR 2  
CONTROL UNIT AIR BAG

TABLE OF CONTENTS		
CAVITY	CIRCUIT	FUNCTION
5	BL	12 VOLT SUPPLY
10	OR	AIR BAG SUPPLY
11	OR/W	AIR BAG RETURN
9	GN	POS DATA LINK SAE J1708
12	Y	ENG DATA LINK SAE J1708



CONNECTOR 3  
AIR BAG CONTACT REEL

TABLE OF CONTENTS		
CAVITY	CIRCUIT	FUNCTION
1	OR	AIR BAG SUPPLY
2	OR/W	AIR BAG RETURN



CASE GROUND

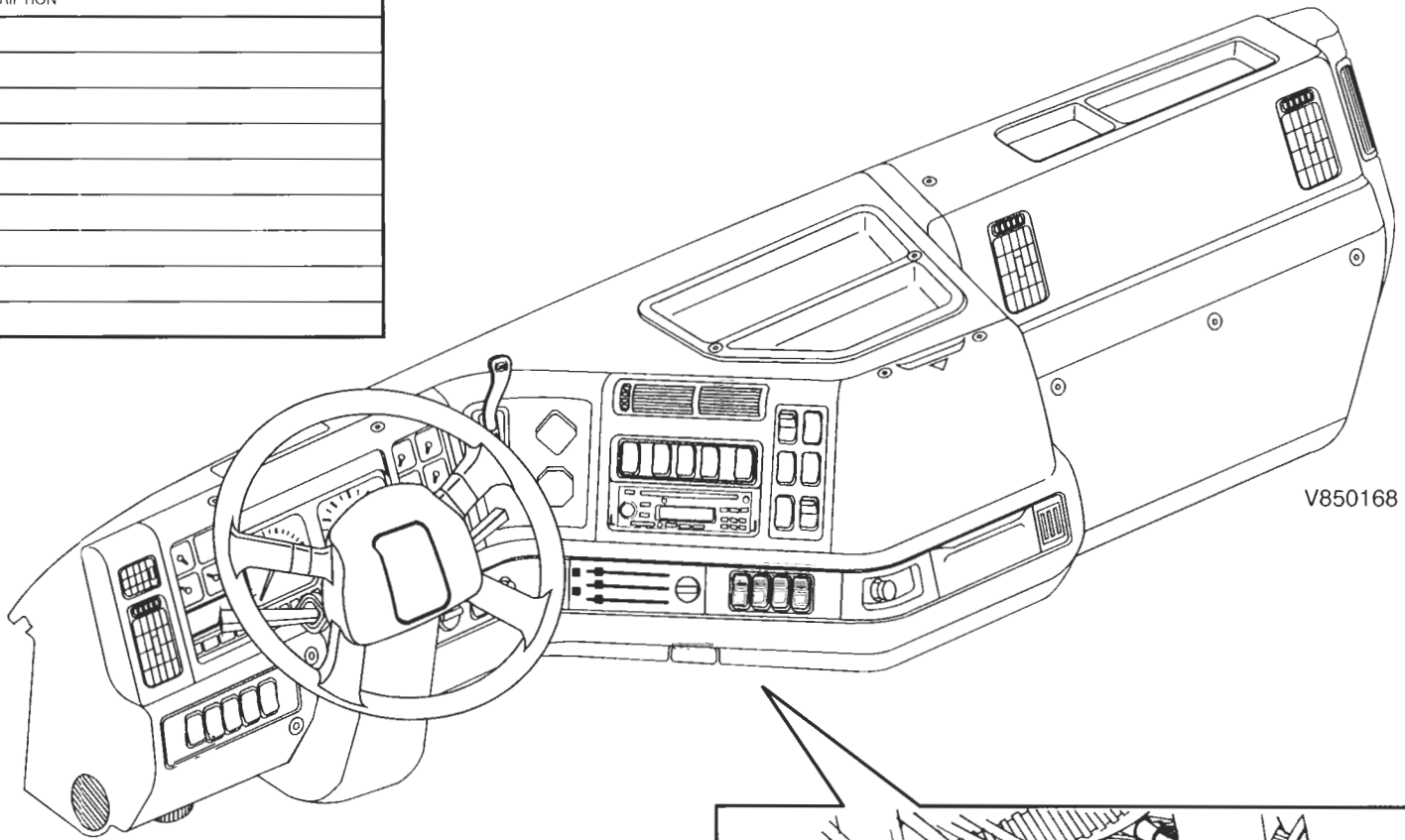
— DENOTES TWISTED PAIR

SYMBOL DEFINITION	SYMBOL DEFINITION
DENOTES SPLICE	DENOTES MALE TERMINAL
EXAMPLE SHOWN IS A 1:2 SPLICE	DENOTES CONNECTOR
	DENOTES CAVITY
	DENOTES FEMALE TERMINAL

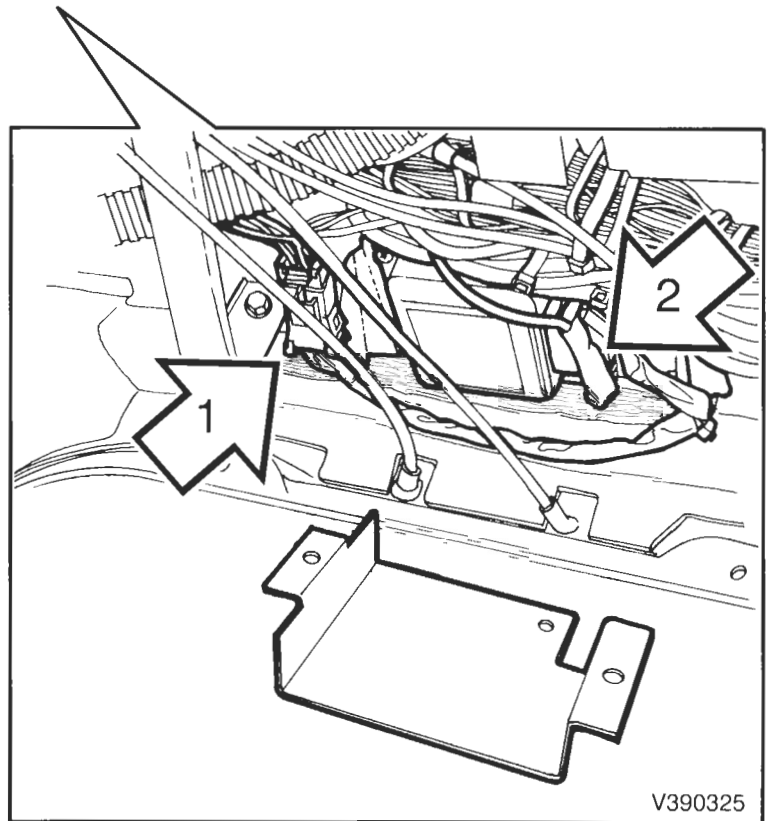
CHANGE HISTORY

DESCRIPTION

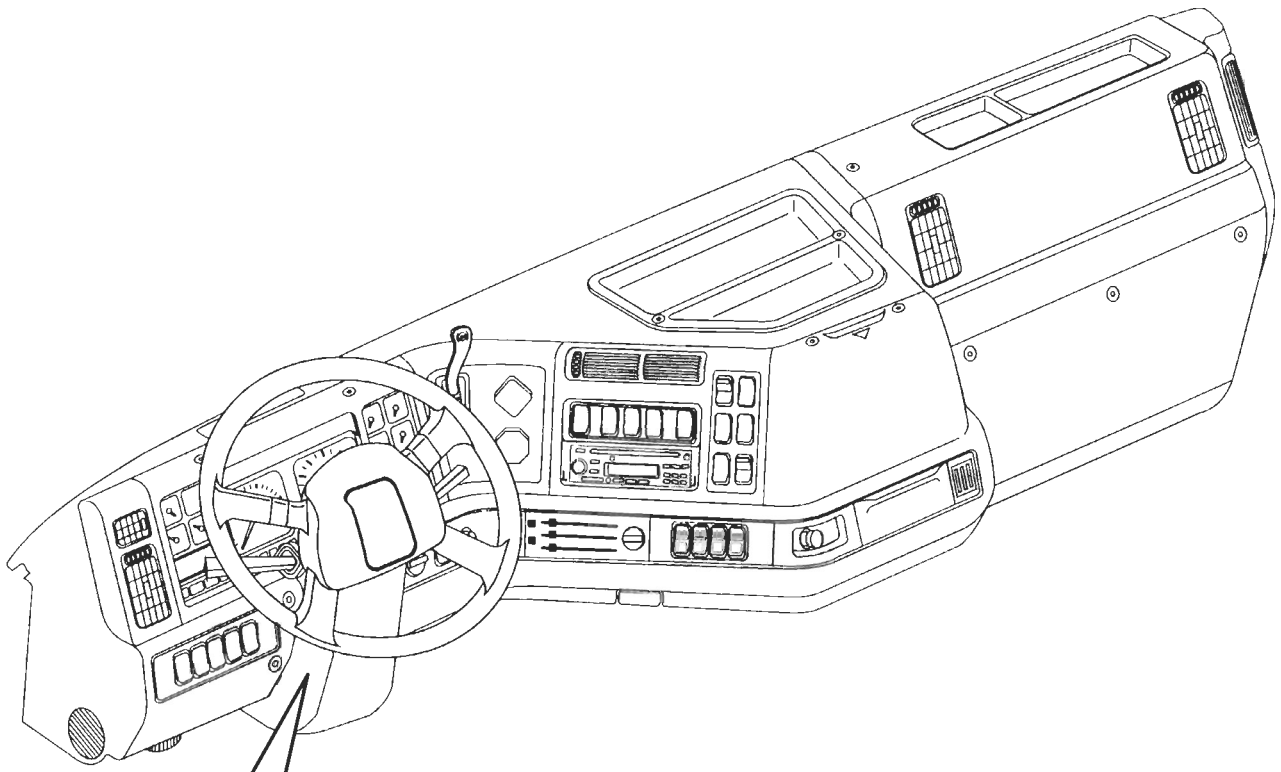
DESCRIPTION



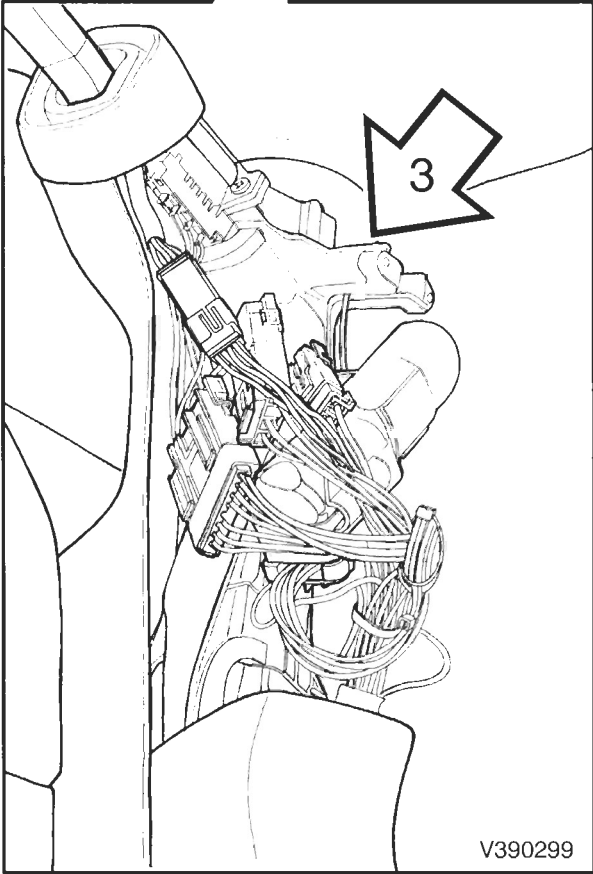
V850168



V390325



V850168



V390299