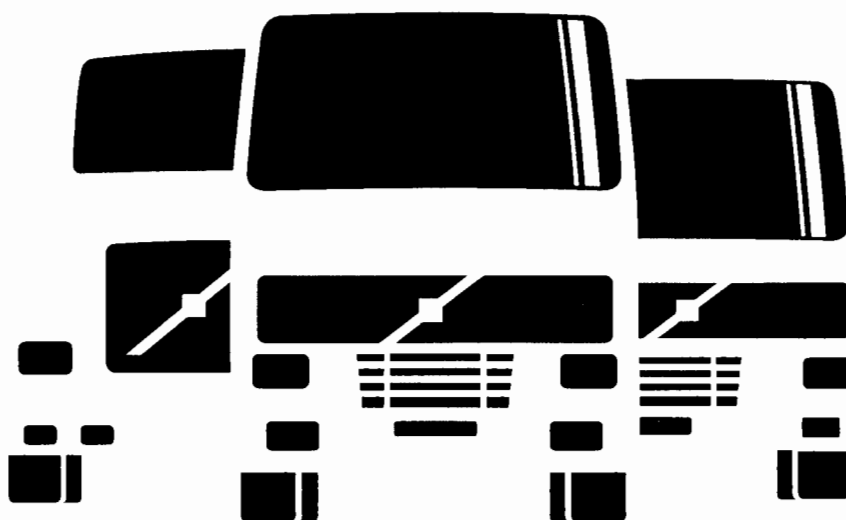


Service Manual Trucks

Group **37**
Electrical Schematic:
Vorad System

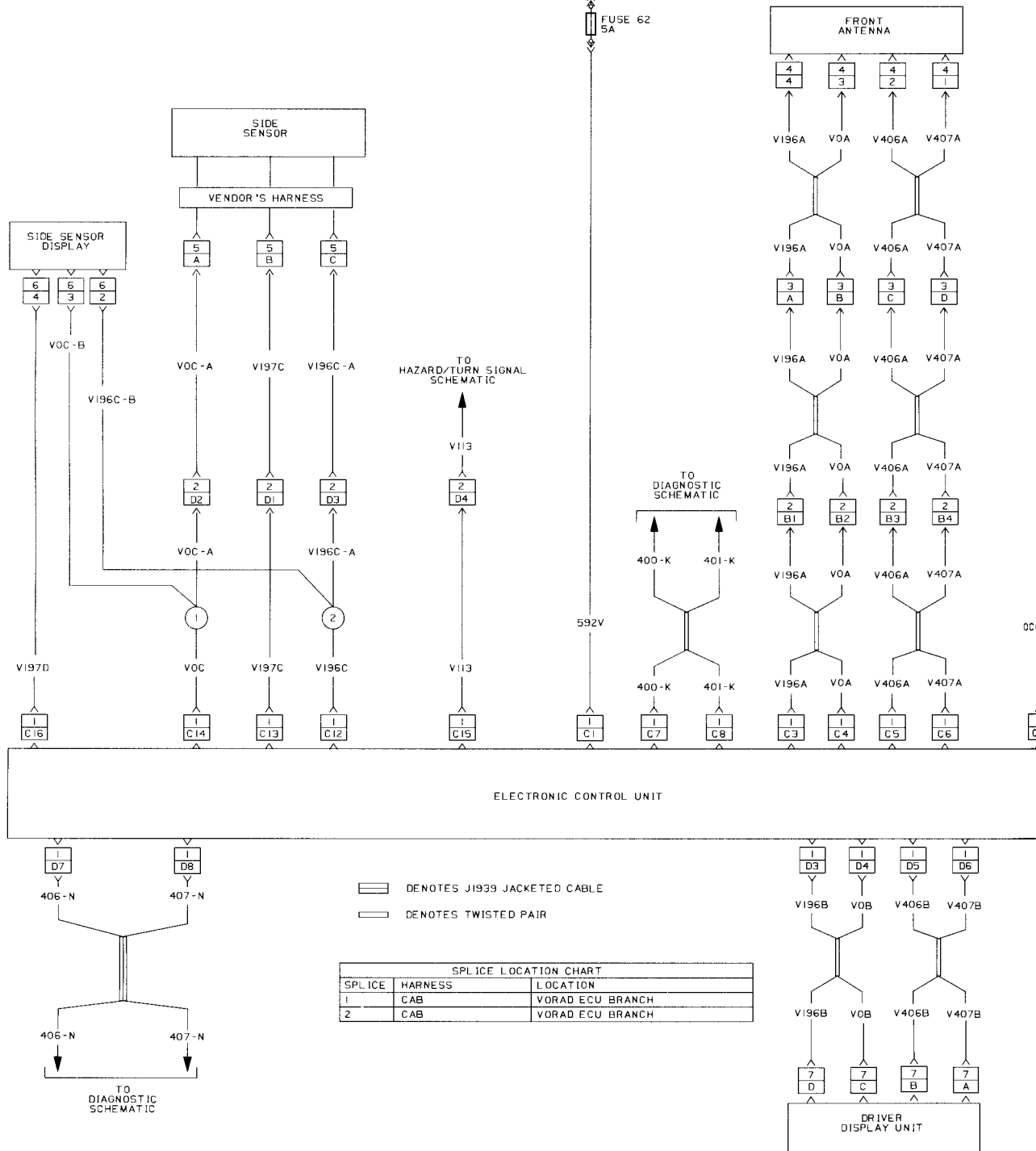
VN
From Build Date 6.2000





BATTERY 12 VOLT
 IGNITION 12 VOLT
 ACCESSORY 12 VOLT

I96DR-0

FUSE 62
 5A



ELECTRONIC CONTROL UNIT

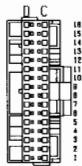
 DENOTES J1939 JACKETED CABLE
 DENOTES TWISTED PAIR

SPLICE LOCATION CHART		
SPLICE	HARNESS	LOCATION
1	CAB	VORAD ECU BRANCH
2	CAB	VORAD ECU BRANCH

Vorad System - VN

CONNECTOR AND SPLICE INFORMATION
CONNECTORS VIEWED FROM CABLE ENTRY

CONNECTOR 1
ECU



CAVITY	CIRCUIT	FUNCTION
C1	592V	POWER
C2	OCG-B	GROUND
C3	V196A	IGNITION SIGNAL
C4	VOA	DC RETURN
C5	V406A	VBUS POSITIVE (+)
C6	V407A	VBUS NEGATIVE (-)
C7	400-K	POS DATA LINK SAE J1587
C8	401-K	NEG DATA LINK SAE J1587
C12	V196C	IGNITION SIGNAL
C13	V197C	SS SIGNAL
C14	VOC	GROUND
C15	V113	RTURN
C16	V197D	SSD SIGNAL
D3	V196B	IGNITION SIGNAL
D4	VOB	GROUND
D5	V406B	VBUS POSITIVE (+)
D6	V407B	VBUS NEGATIVE (-)
D7	406V	DATA LINK HIGH SAE J1939
D8	407V	DATA LINK LOW SAE J1939

CONNECTOR 2
PASS-THRU



CAVITY	CIRCUIT	FUNCTION
B1	V196A	IGNITION SIGNAL
B2	VOA	GROUND
B3	V406A	VBUS POSITIVE (+)PLY
B4	V407A	VBUS NEGATIVE (-)
D1	V197C	SS SIGNAL
D2	VOC-A	GROUND
D3	V196C-A	POWER
D4	V113	RTURN

CONNECTOR 3
FRONT CHASSIS



CAVITY	CIRCUIT	FUNCTION
A	V196A	POWER
B	VOA	DC RETURN
C	V406A	VBUS POSITIVE
D	V407A	VBUS NEGATIVE

CONNECTOR 4
FRONT ANTENNA



CAVITY	CIRCUIT	FUNCTION
1	V407A	VBUS NEGATIVE
2	V406A	VBUS POSITIVE
3	VOA	GROUND
4	V196A	POWER

CONNECTOR 5
SIDE ANTENNA



CAVITY	CIRCUIT	FUNCTION
A	VOC-A	GROUND
B	V197C	SIGNAL
C	V196C-A	POWER

CONNECTOR 6
SIDE SENSOR DISPLAY



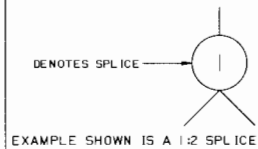
CAVITY	CIRCUIT	FUNCTION
2	V196C-B	POWER
3	VOC-B	GROUND
4	V197D	SIGNAL

CONNECTOR 7
DRIVER DISPLAY UNIT

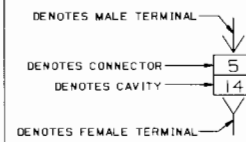


CAVITY	CIRCUIT	FUNCTION
A	V407B	VBUS NEGATIVE
B	V406B	VBUS POSITIVE
C	VOB	DC RETURN
D	V196B	POWER

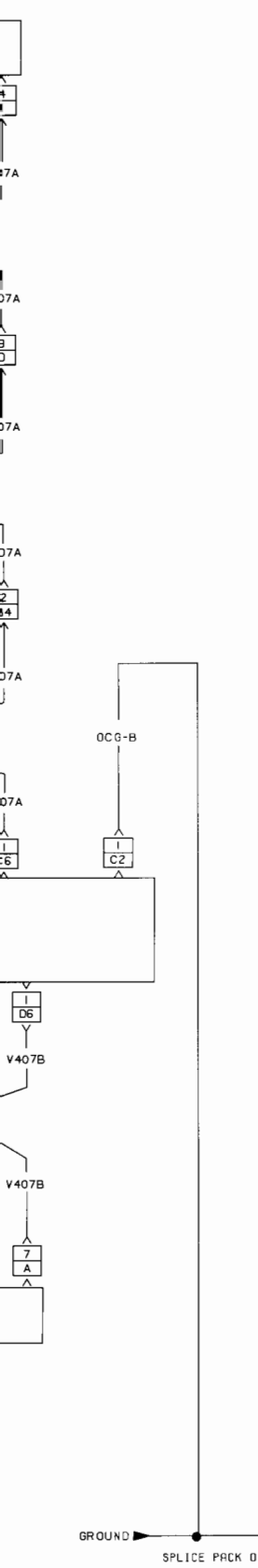
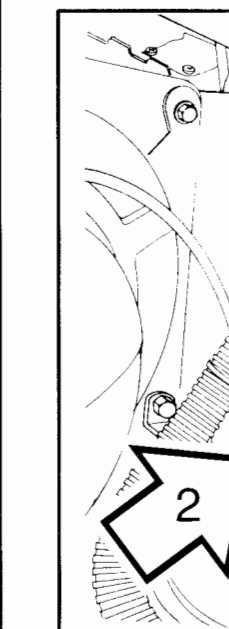
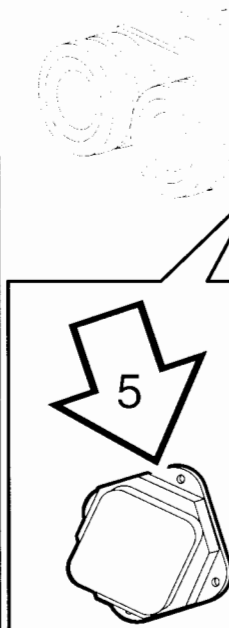
SYMBOL DEFINITION



SYMBOL DEFINITION



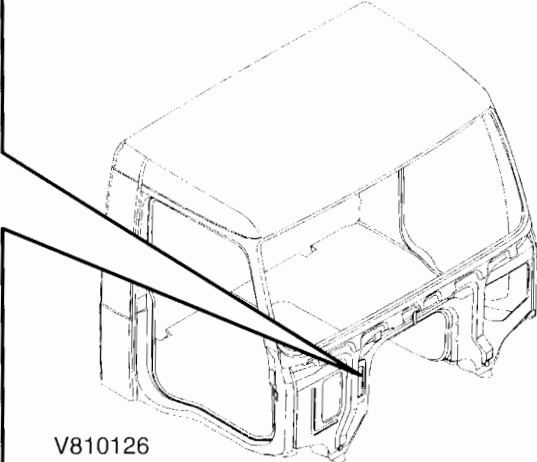
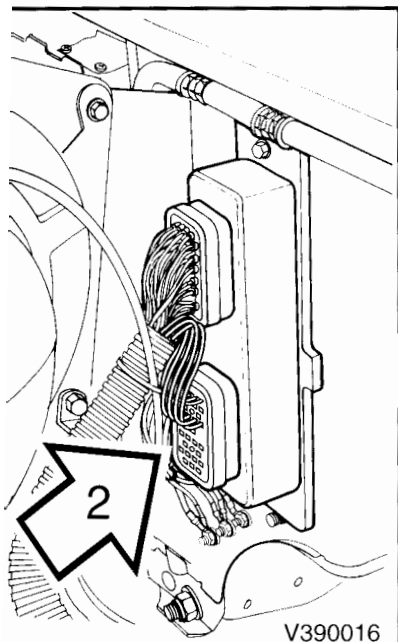
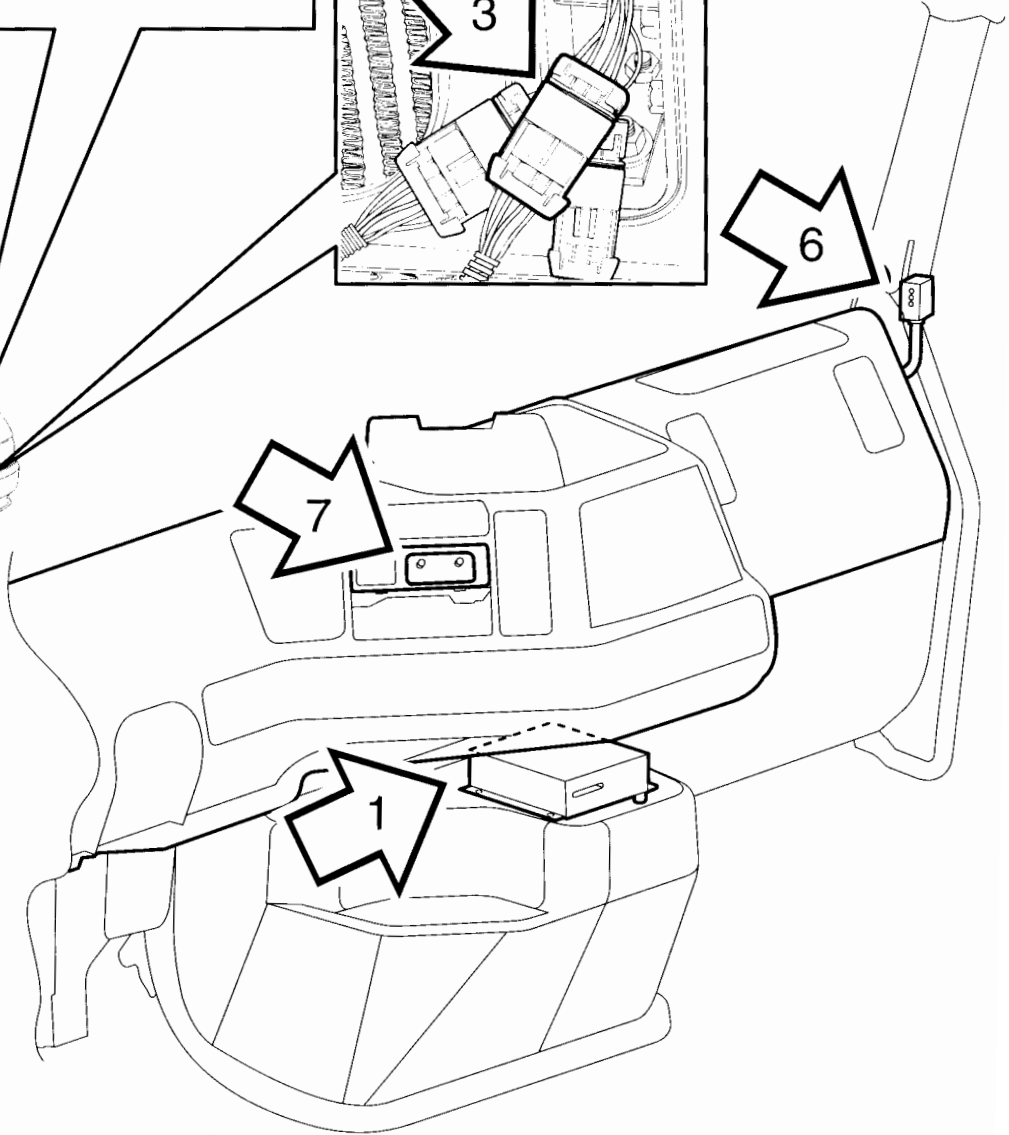
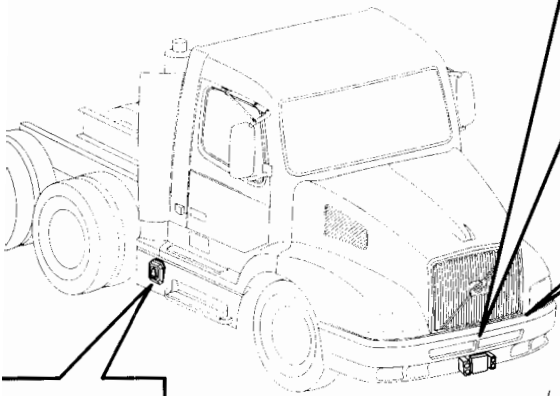
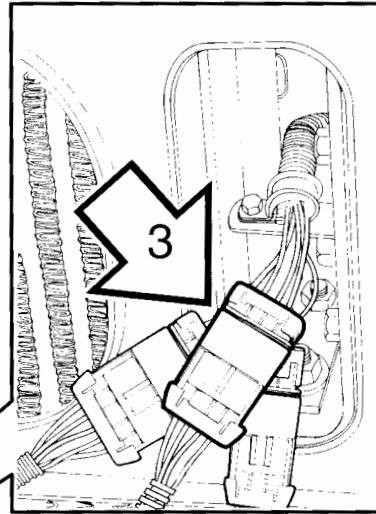
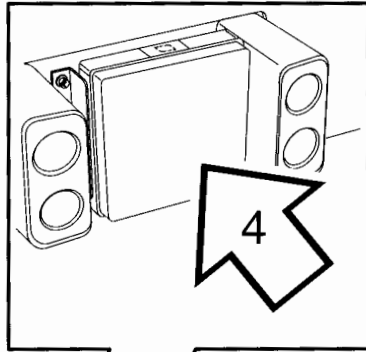
EFFECTIVE DATE	DESCRIPTION



CHANGE HISTORY

DESCRIPTION

DESCRIPTION



V390016

V810126