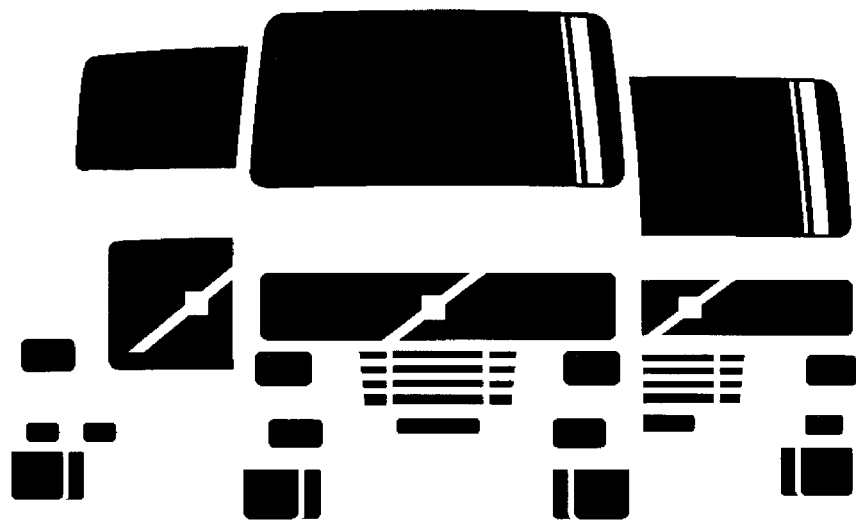
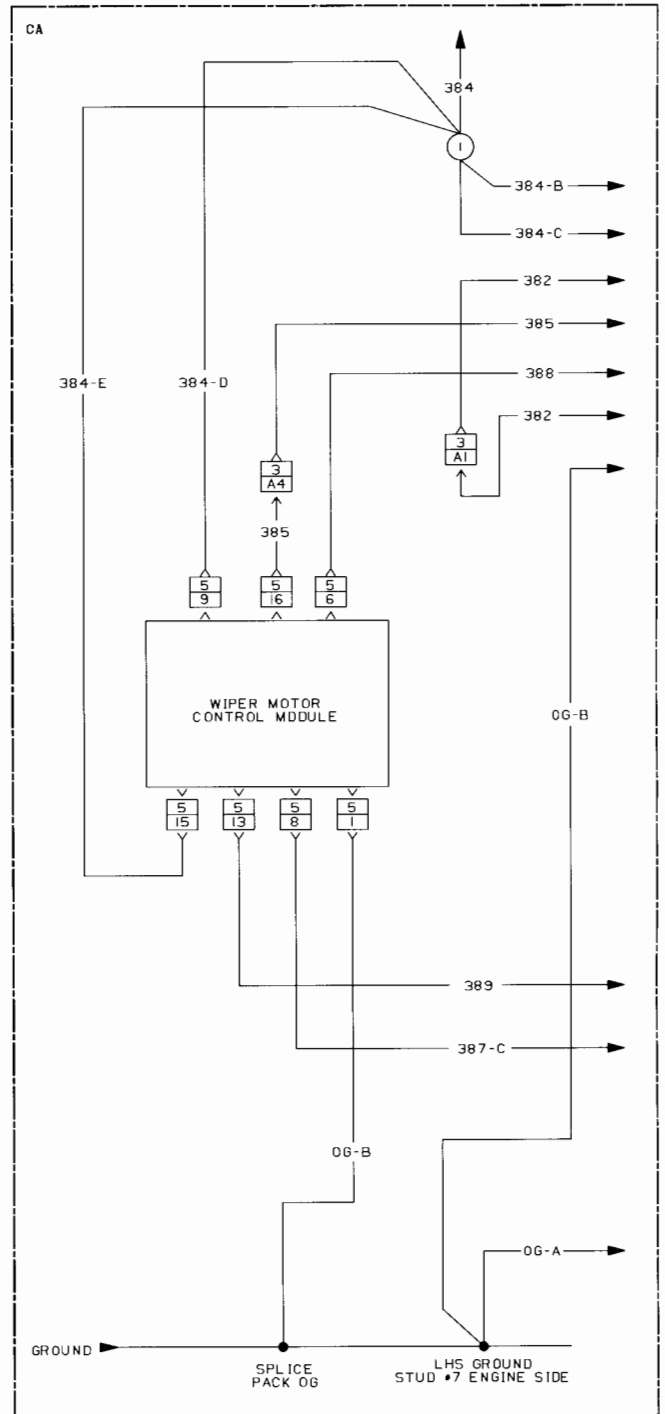
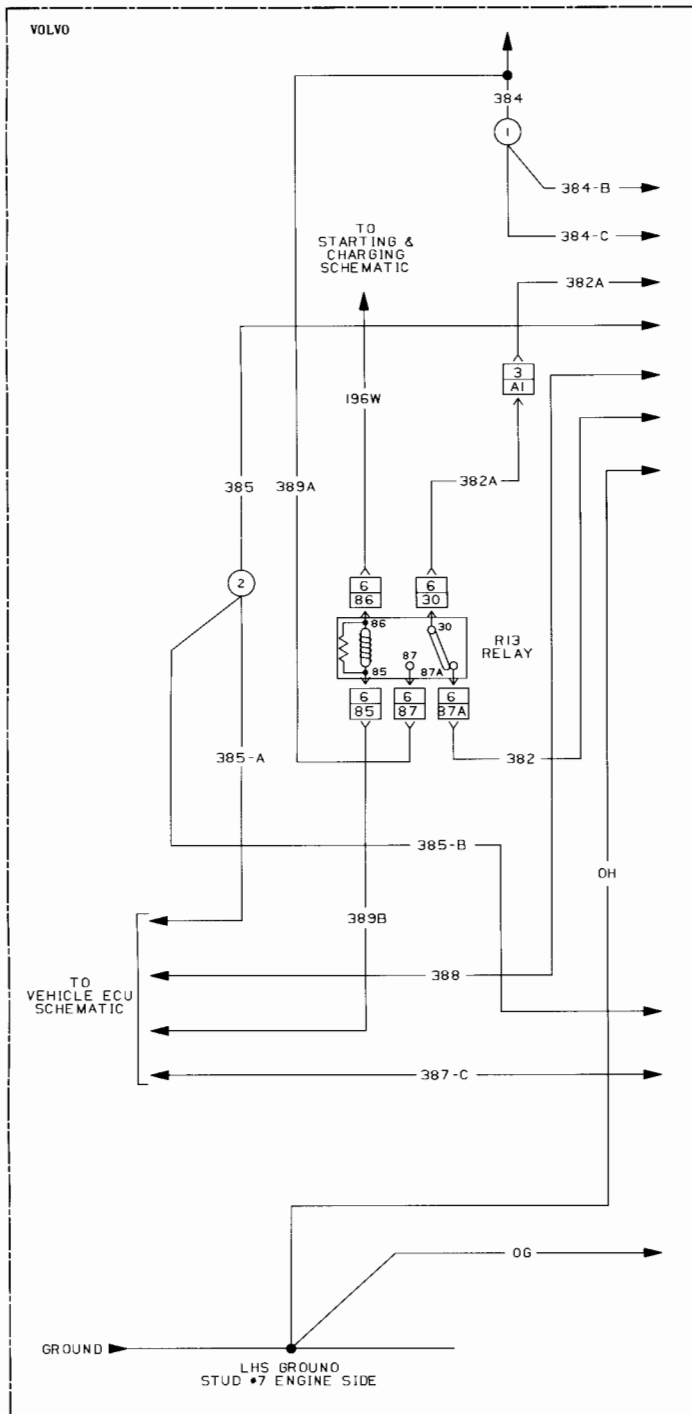


Service Manual Trucks

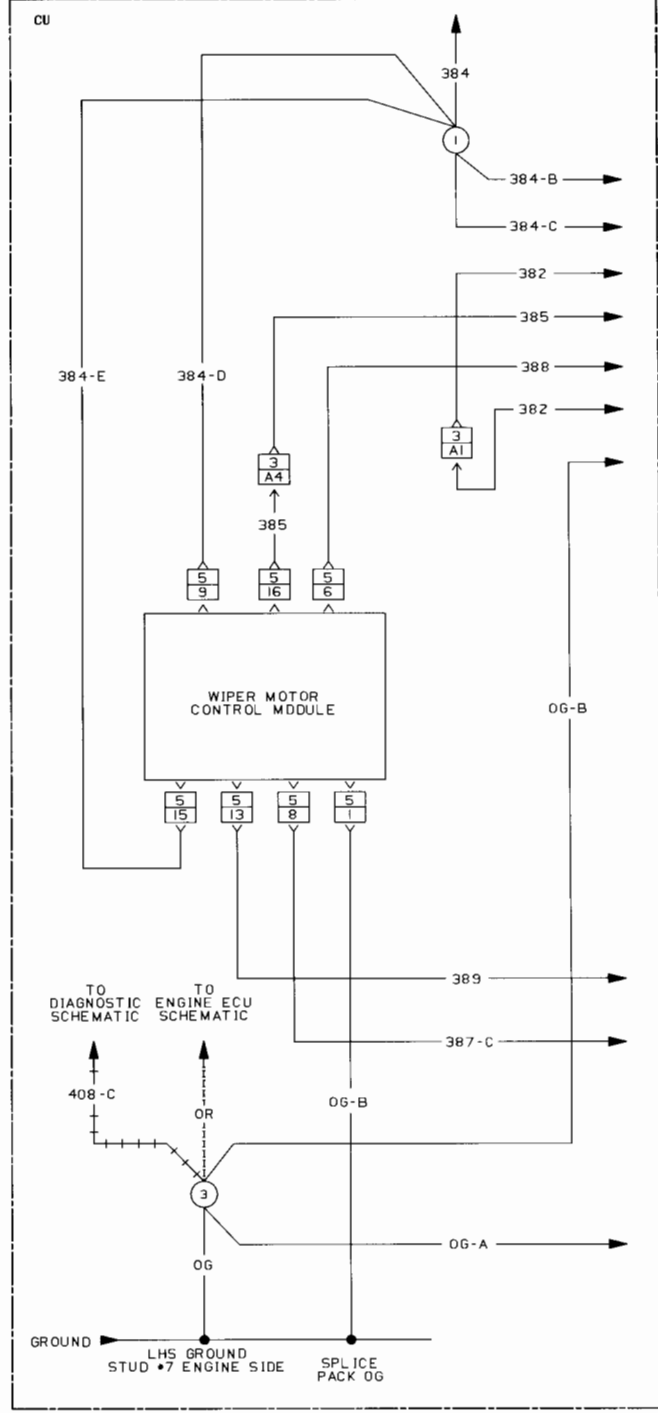
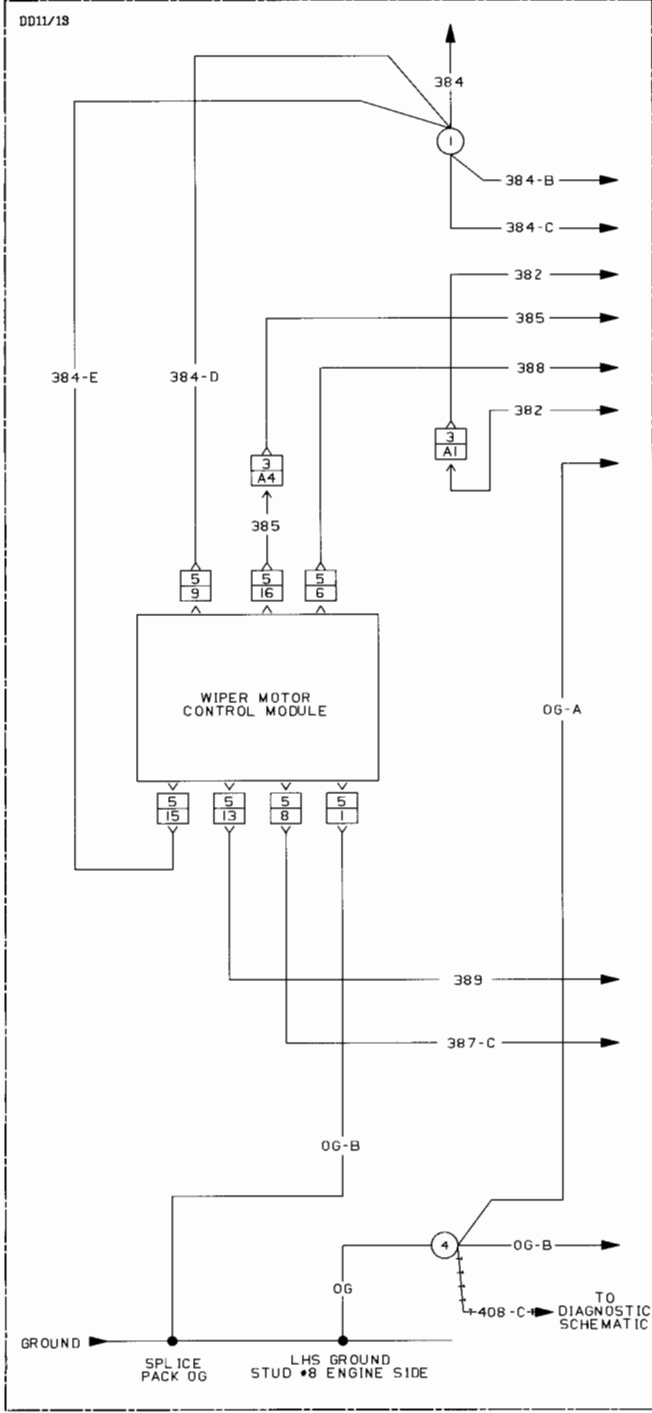
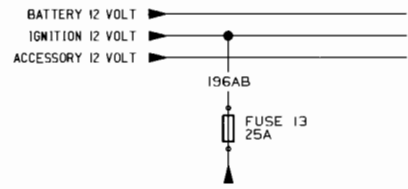
Group **37**
Electrical Schematic:
Windshield Wipers

VN
From Build Date 5.99



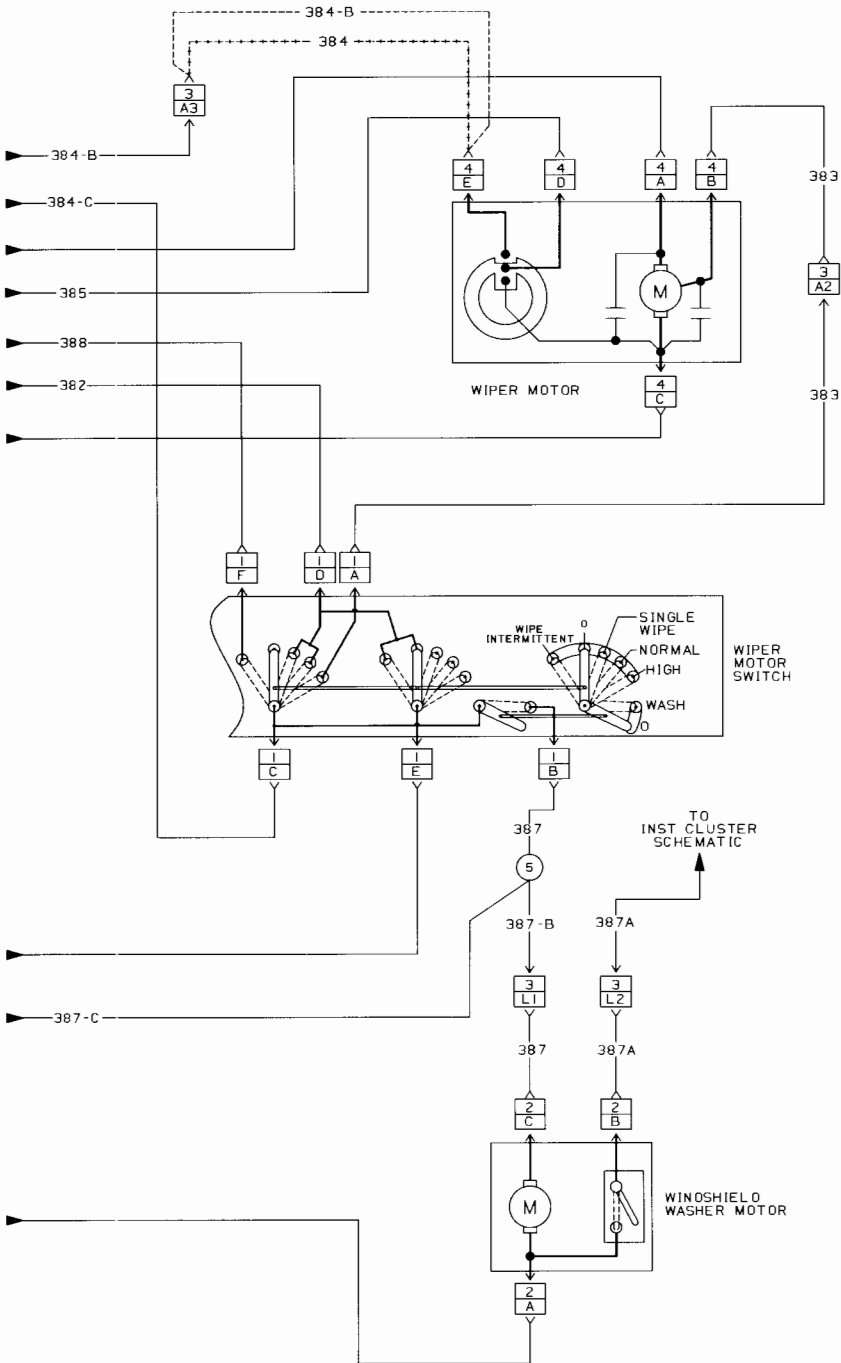


Windshield Wipers - VN

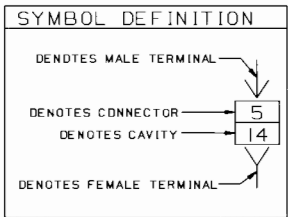
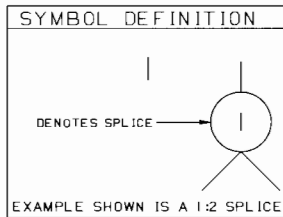


SPLICE LOCATION CHART		
SPLICE	HARNESS	LOCATION
1	CAB	MAIN TRUNK
2	CAB	STEERING COLUMN BREAKOUT
3	ENGINE	MAIN TRUNK WIPER MOTOR BRANCH
4	ENGINE	225MM FROM GROUND STUD
5	CAB	STEERING COLUMN BREAKOUT

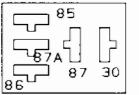
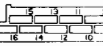
EFFECTIVE DATE	DESCRIPTION
1.00	CORRECTION



- ++++ AUTOSHIFT (GEN 2) OR VORAD ONLY
- + LIGHTNING, AUTOSHIFT (GEN 2), OR VORAD ONLY
- CUI1/CUI4/CA/DD ONLY
- CUI1/CUI4 ONLY
- ISM/ISX/VOLVO ONLY



CONNECTOR CONNECTOR



LOCATION CHART
LOCATION
MAIN TRUNK
FEEDING COLUMN BREAKOUT
MAIN TRUNK WIPER MOTOR BRANCH
5MM FROM GROUND STUD
FEEDING COLUMN BREAKOUT

CHANGE HISTORY	
EFFECTIVE DATE	DESCRIPTION
1.00	CORRECTIONS

CONNECTOR AND SPLICE INFORMATION
CONNECTORS VIEWED FROM CABLE ENTRY

**CONNECTOR 1
WIPER MOTOR SWITCH**

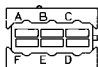


TABLE OF CONTENTS		
CAVITY	CIRCUIT	FUNCTION
A	383	HIGH SPEED WIPER
B	387	12 VOLT SUPPLY
C	384-C	12 VOLT SUPPLY
D	382	LOW SPEED WIPER
E	389	TO WIPER CONTROL MODULE
F	388	TO WIPER CONTROL MODULE

**CONNECTOR 2
WINDSHIELD WASHER MOTOR**

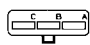


TABLE OF CONTENTS		
CAVITY	CIRCUIT	FUNCTION
A	06	WASHER MOTOR GROUND
A	06-A	WASHER MOTOR GROUND
A	06-B	WASHER MOTOR GROUND
B	387A	LOW FLUID LEVEL
C	387	12 VOLT SUPPLY

**CONNECTOR 3
ENGINE HARNESS PASS THROUGH**

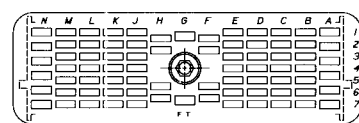


TABLE OF CONTENTS		
CAVITY	CIRCUIT	FUNCTION
A	382	LOW SPEED WIPER
A2	383	HIGH SPEED WIPER
A3	384-B	12 VOLT SUPPLY
A4	385	PARK CONTROL
L	387-B	12 VOLT SUPPLY
L2	387A	LOW FLUID LEVEL

**CONNECTOR 4
WIPER MOTOR**

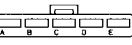


TABLE OF CONTENTS		
CAVITY	CIRCUIT	FUNCTION
A	382	LOW SPEED WIPER
A	382A	LOW SPEED WIPER
B	383	HIGH SPEED WIPER
C	06-A	WIPER MOTOR GROUND
C	06-B	WIPER MOTOR GROUND
C	0H	WIPER MOTOR GROUND
D	385	PARK CONTROL WIPER MOTOR
E	384	12 VOLT SUPPLY

**CONNECTOR 5
WIPER MOTOR CONTROL MODULE**

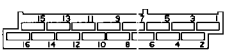


TABLE OF CONTENTS		
CAVITY	CIRCUIT	FUNCTION
T	06-B	WIPER MODULE GROUND
E	388	SWITCH/INTERVAL WIPER
B	387-C	WASHER MOTOR CONTROL
S	384-D	12 VOLT SUPPLY
TE	389	12 VOLT SUPPLY
DE	384-E	WIPER MOTOR SUPPLY
TE	385	PARK CONTROL WIPER MOTOR

**CONNECTOR 6
INTERMITTENT WIPER RELAY R13**

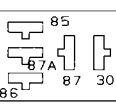


TABLE OF CONTENTS		
CAVITY	CIRCUIT	FUNCTION
86	196W	12 VOLT SUPPLY
87A	382	12 VOLT SUPPLY
85	389B	POWER CONTROL FROM VECU
87	389A	12 VOLT SUPPLY
80	382A	LOW SPEED WIPER

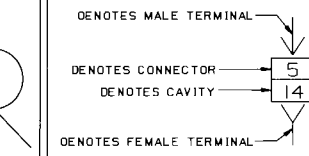
N 21 OR VORAD ONLY

OSHSIFT (GEN 2), OR VORAD ONLY

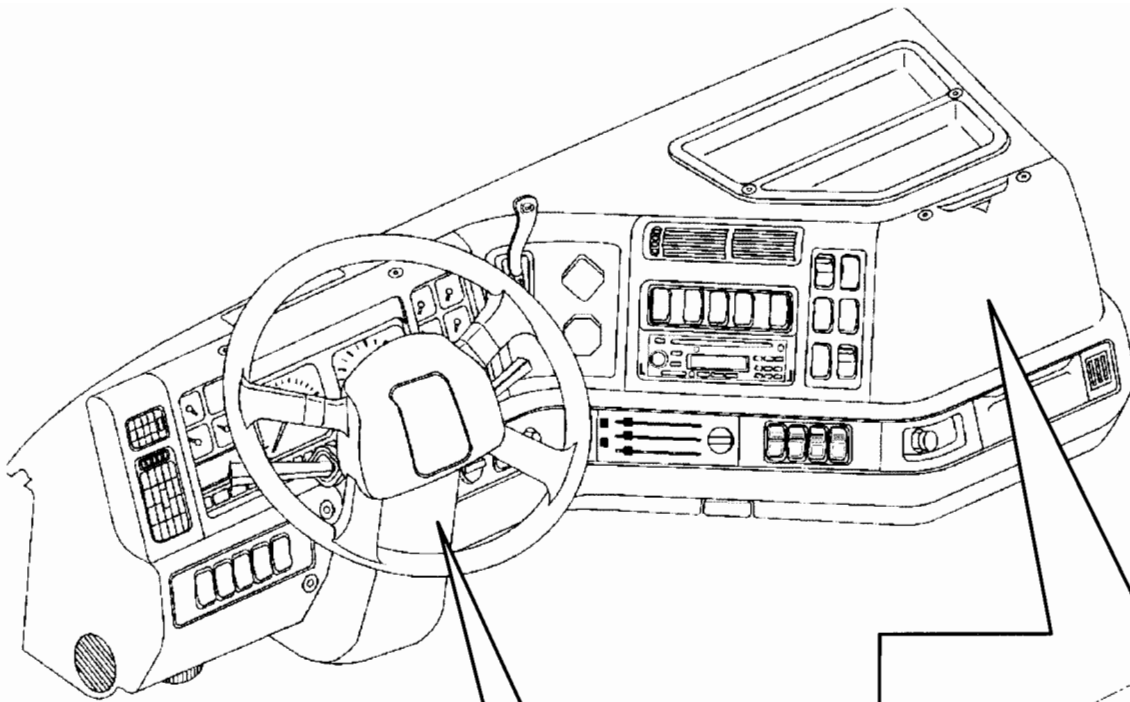
OD ONLY

ONLY

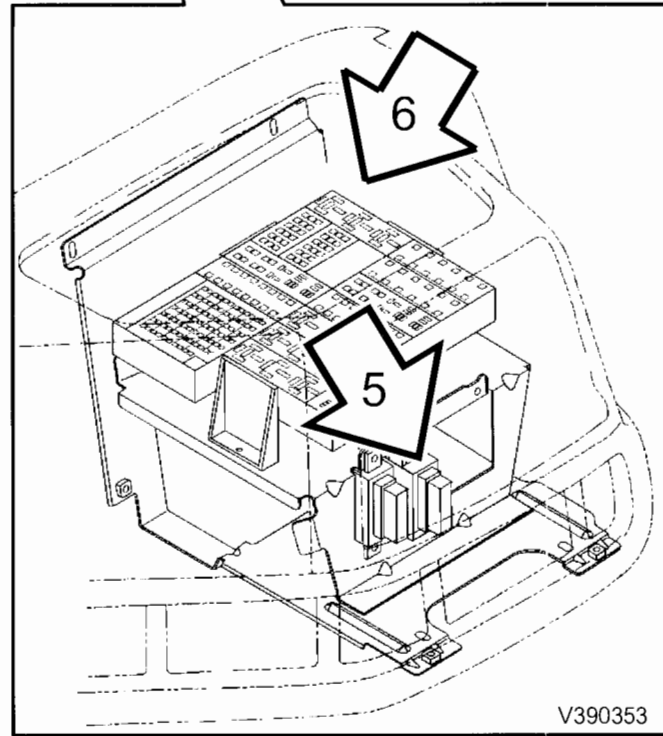
SYMBOL DEFINITION



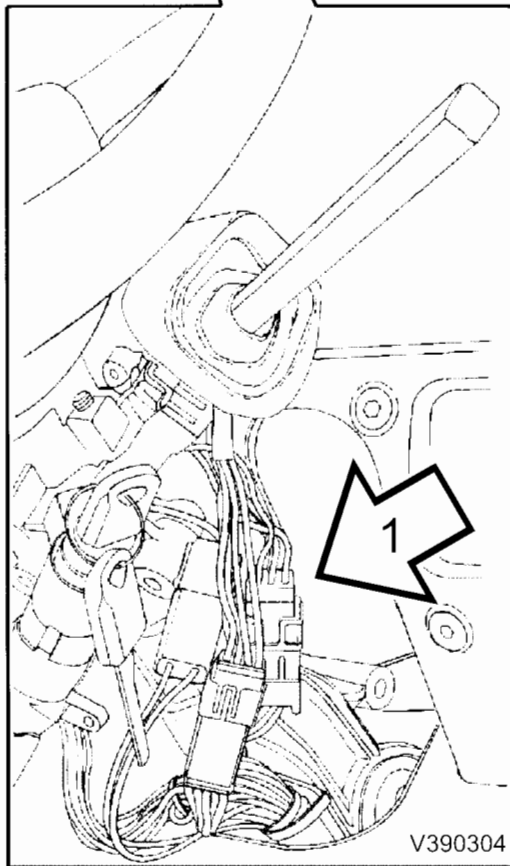
- DENOTES MALE TERMINAL
- DENOTES CONNECTOR
- DENOTES CAVITY
- DENOTES FEMALE TERMINAL



V850167



V390353



V390304

