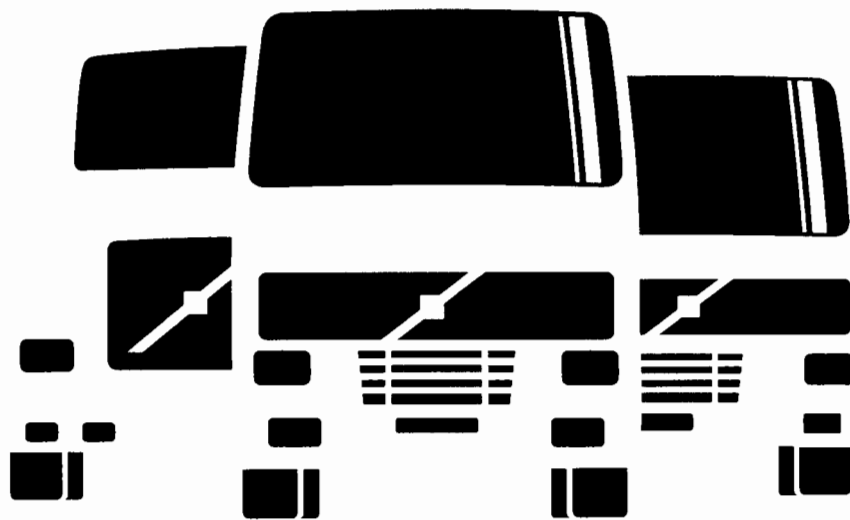


# Service Manual Trucks

Group **37**  
Electrical Schematic:  
Headlights

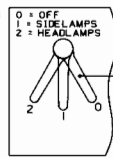
VN

From Build Date 5.99



BATTERY 12 VOLT  
IGNITION 12 VOLT  
ACCESSORY 12 VOLT

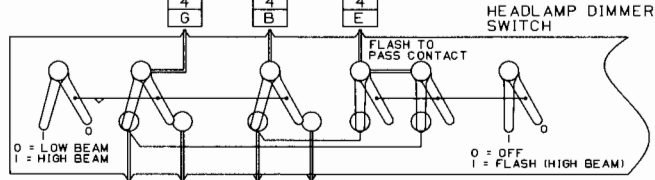
MASTER LIGHTING SWITCH



FUSE 32 20A  
FUSE 18 20A  
FUSE 27 20A

NOTE: WAS FUSE 20 BEFORE 11/99  
NOTE: WAS FUSE 30 BEFORE 11/99

DAYTIME RUNNING LIGHT MODULE DRL I

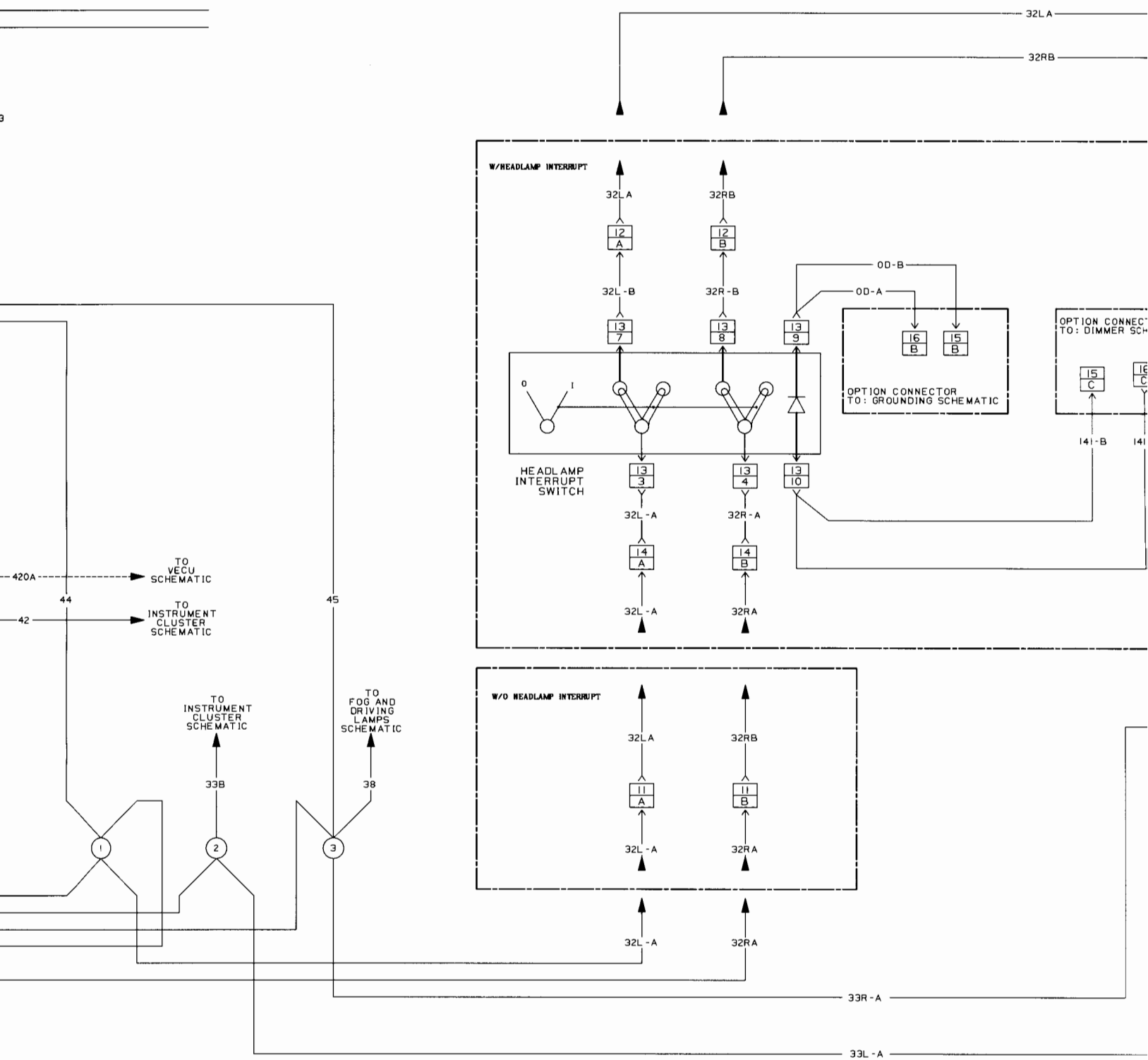


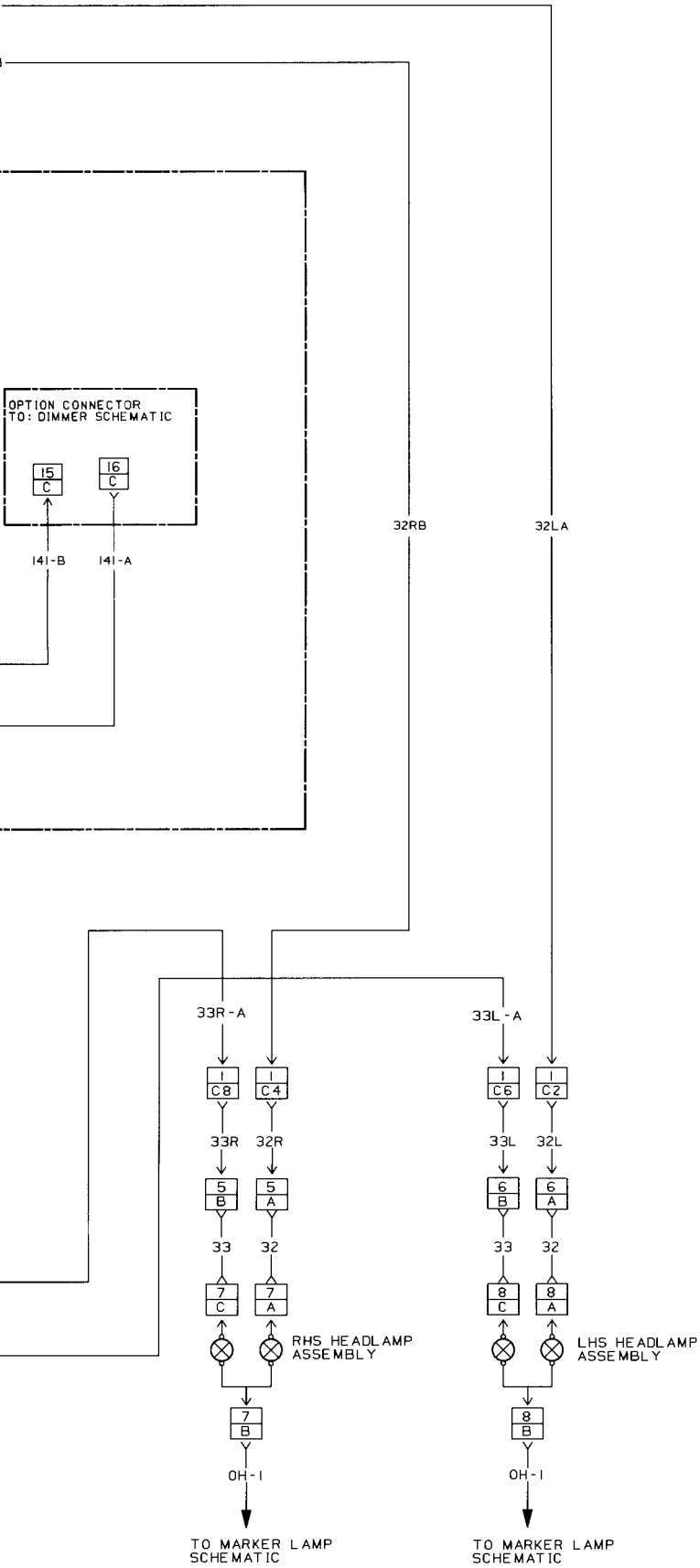
DRL CONTROL RELAY R16

GROUND

SPLICE PACK 0

# Headlights - VN





**CONNECTOR AND SPLICE INFORMATION  
CONNECTORS VIEWED FROM CABLE ENTRY**

CONNECTOR 1 CHASSIS HARNESS PASS THROUGH		
TABLE OF CONTENTS		
CAVITY	CIRCUIT	FUNCTION
C2	32LA	LOW BEAM LEFT
C4	32RB	LOW BEAM RIGHT
C6	33L-A	HIGH BEAM LEFT
C8	33R-A	HIGH BEAM RIGHT

CONNECTOR 2 MASTER LIGHTING SWITCH		
TABLE OF CONTENTS		
CAVITY	CIRCUIT	FUNCTION
1	31L	LHS HEADLAMPS
5	31R	RHS HEADLAMPS
9	30	LHS 12 VOLT SUPPLY
10	30A	RHS 12 VOLT SUPPLY

CONNECTOR 3 DAYTIME RUNNING LAMP MODULE DRL1		
TABLE OF CONTENTS		
CAVITY	CIRCUIT	FUNCTION
30	OH/0J	GROUND
87	42/420A	PARK BRAKE INPUT
87A	44	DRL OUTPUT
86	45	DRL DISABLE
85	40	12 VOLT SUPPLY

CONNECTOR 4 HEADLAMP DIMMER SWITCH		
TABLE OF CONTENTS		
CAVITY	CIRCUIT	FUNCTION
A	32L	9 VOLT OUTPUT
B	31L	SWITCH SUPPLY LH
C	33L	LEFT HIGH BEAM
E	33F	FLASH TO PASS
F	33R	RIGHT HIGH BEAM
G	31R-A	SWITCH SUPPLY RH
H	32R	9 VOLT OUTPUT

CONNECTOR 5 CHASSIS TO HEADLAMP RIGHT		
TABLE OF CONTENTS		
CAVITY	CIRCUIT	FUNCTION
A	32R	RIGHT LOW BEAM
B	33R	RIGHT HIGH BEAM

CONNECTOR 6 CHASSIS TO HEADLAMP LEFT		
TABLE OF CONTENTS		
CAVITY	CIRCUIT	FUNCTION
A	32L	LEFT LOW BEAM
B	33L	LEFT HIGH BEAM

CONNECTOR 7 HEADLAMP RIGHT		
TABLE OF CONTENTS		
CAVITY	CIRCUIT	FUNCTION
A	32	RIGHT LOW BEAM
B	OH-1	GROUND
C	33	RIGHT HIGH BEAM

CONNECTOR 8 HEADLAMP LEFT		
TABLE OF CONTENTS		
CAVITY	CIRCUIT	FUNCTION
A	32	LEFT LOW BEAM
B	OH-1	GROUND
C	33	LEFT HIGH BEAM

CONNECTOR 9 DAYTIME RUNNING LAMP CONTROL RELAY R16		
TABLE OF CONTENTS		
CAVITY	CIRCUIT	FUNCTION
85	0J	GROUND
86	43A	HEADLAMP CONTROL
87	32R	HEADLAMP SIGNAL
87A	44-A	DRL SIGNAL
30	32RA	RHS 12 VOLT SUPPLY

CONNECTOR 11 HEADLAMP OPTION		
TABLE OF CONTENTS		
CAVITY	CIRCUIT	FUNCTION
A	32L-A	SWITCH SUPPLY LH
B	32RA	LOW BEAM RIGHT

EFFECTIVE DATE	DESCRIPTION
11/99	FUS

CONNECTOR 12 OPTION CONNECTOR HEADLAMP		
TABLE OF CONTENTS		
CAVITY	CIRCUIT	FUNCTION
A	32LA	LOW BEAM
B	32RB	LOW BEAM

CONNECTOR 13 FLASH TO PASS SWITCH		
TABLE OF CONTENTS		
CAVITY	CIRCUIT	FUNCTION
3	32L-A	LHS HEADLAMP
4	32R-A	RHS HEADLAMP
7	32L-B	LHS HEADLAMP
8	32R-B	RHS HEADLAMP
9	00-A/00-B	GROUND
10	141-A/141-B	SWITCH ILLU

CONNECTOR 14 OPTION CONNECTOR HEADLAMP		
TABLE OF CONTENTS		
CAVITY	CIRCUIT	FUNCTION
A	32L-A	LHS HEADLAMP
B	32R-A	RHS HEADLAMP

CONNECTOR 15 OPTION CONNECTOR 1		
TABLE OF CONTENTS		
CAVITY	CIRCUIT	FUNCTION
B	00-B	GROUND
C	141-B	SWITCH ILLU

CONNECTOR 16 OPTION CONNECTOR 2		
TABLE OF CONTENTS		
CAVITY	CIRCUIT	FUNCTION
B	00-A	GROUND
C	141-A	SWITCH ILLU

SPLICE	HARNESS
1	CAB
2	CAB
3	CAB

----- DENOTES SPLICE

SYMBOL DEFINITION

DENOTES SPLICE

EXAMPLE SHOWN

## CHANGE HISTORY

EFFECTIVE DATE	DESCRIPTION
11/99	FUSE CHANGE

**12**  
CONNECTOR HEADLAMP

CONTENTS
CIRCUIT FUNCTION
L-A LOW BEAM LEFT
R-B LOW BEAM RIGHT

**13**  
PASS SWITCH

CONTENTS
CIRCUIT FUNCTION
L-A LHS HEADLAMPS
R-A RHS HEADLAMPS
L-B LHS HEADLAMPS
R-B RHS HEADLAMPS
-A/00-B GROUND
-A/14-B SWITCH ILLUMINATION

**14**  
CONNECTOR HEADLAMP

CONTENTS
CIRCUIT FUNCTION
L-A LHS HEADLAMPS
R-A RHS HEADLAMPS

**15**  
CONNECTOR 1

CONTENTS
CIRCUIT FUNCTION
0-B GROUND
1-B SWITCH ILLUMINATION

**16**  
CONNECTOR 2

CONTENTS
CIRCUIT FUNCTION
0-A GROUND
1-A SWITCH ILLUMINATION

### SPLICE LOCATION CHART

SPLICE	HARNESS	LOCATION
1	CAB	MAIN TRUNK
2	CAB	RH INSTRUMENT BREAKOUT
3	CAB	RH DOOR AND SEAT BREAKOUT

----- DENOTES VOLVO ENGINE ONLY

**SYMBOL DEFINITION**

DENOTES SPLICE

EXAMPLE SHOWN IS A 1:2 SPLICE

**SYMBOL DEFINITION**

DENOTES MALE TERMINAL

DENOTES CONNECTOR

DENOTES CAVITY

DENOTES FEMALE TERMINAL

